

The **Finishing**
Touch

SV-Burr
Premium Carbide Burrs



VARGUS is a world leading developer, manufacturer, and supplier of high-quality, precision threading, grooving, turning and hand deburring tools and has been at the forefront of the tooling industry now for more than **60 years**.



Established in 1960, **VARGUS** is the cutting tools division of the **NEUMO Ehrenberg Group**, a multinational organization headquartered in Germany.

The **NEUMO Ehrenberg Group** is one of Europe's largest privately owned manufacturers and distributors of industrial stainless steel products, stainless steel flow equipment and metal cutting tools. A customer-focused organization, **VARGUS Ltd.** is committed to providing products and solutions of the highest quality and excellent value, and is renowned for its technical expertise and uncompromising service.

The company's major product lines are:

VARDEX | for Thread Turning, Thread Milling, Tapping, Whirling & Gear Milling solutions.

GROOVEX | provides a wide range of internal and external grooving, boring and turning applications.

SHAVIV | is a world leader in hand-deburring solutions for a wide range of metal, plastic and wood materials.

The new **SV-Burr** line of premium carbide burrs by **SHAVIV** was launched in 2023.

NEW from SHAVIV

SV-Burr | The New Line of Premium Carbide Burrs

The new SV-Burr line from SHAVIV includes a wide range of Tungsten Carbide tools which are used to remove burrs (deburring) and smoothen sharp metal edges when cutting or machining processes are completed.

Features and Benefits:

- Wide range of Tungsten Carbide burrs - Up to three times stronger than High Speed Steel (HSS)
- Compatible with hand-held tools or CNC machines
- Used widely in industries such as: Metal working, tool and jewelry making, engineering, deburring, grinding, welding, carving, casting, sculpting, and cylinder head porting
- SV-Burrs successfully tolerate extreme applications and perform better at high temperatures
- New technologies provide optimum efficiency and expanded range of deburring solutions
- Unique geometrical designs cover a variety of teeth and cutting shapes
- Meets increased market demands to deburr stainless steel, steel, cast steel and complex applications
- Optimum adaptation and longer tool life

SV-BURR: Most Popular Industries and Markets



Aviation



Automotive



Casting and Foundry



Deburring

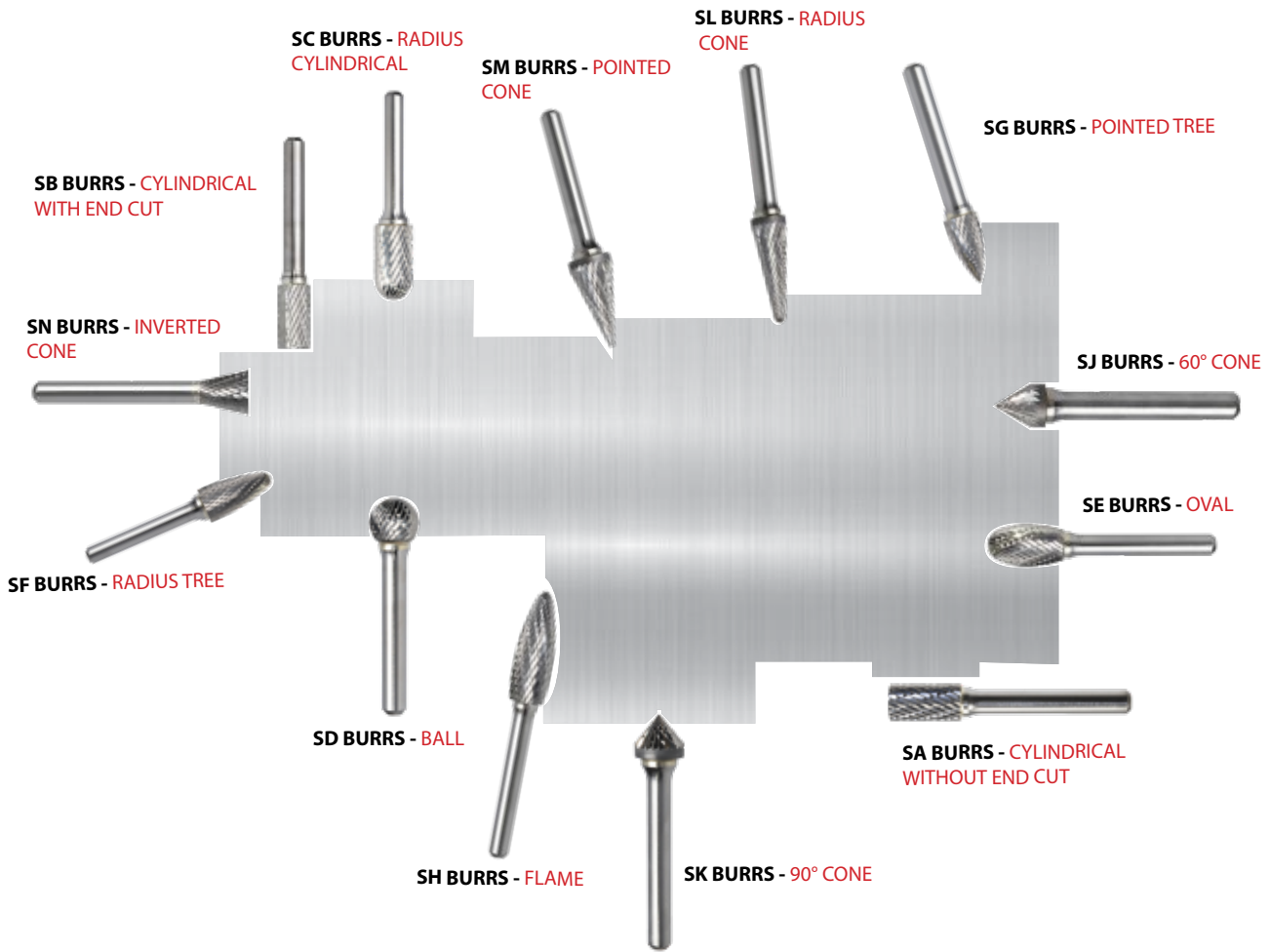


Shipbuilding



Weld Preparation
and Removal

SV-BURR: Geometries & Applications



SV-BURR: Ordering Code System

SA	3	L6	SV	M	DC
1	2	3	4	5	6

1. Burr Shape	2. Dimensions/ Reference Code	3. Shank Length	4. Product Name	5. Type	6. Cut Type
SA - Cylindrical Shape without End Cut SB - Cylindrical Shape with End Cut SC - Radius Cylindrical SD - Ball SE - Oval SF - Radius Tree SG - Pointed Tree SH - Flame SJ - 60° Cone SK - 90° Cone SL - Radius Cone SM - Pointed Cone SN - Inverted Cone	See each catalog page with specific shape	None - (Standard) L3/L6 - Long Shank	SV = SV-Burr	M - Metric I - Inch	DC - Double-cut FM - Aluminum-cut

SV-BURR: Recommendations and Applications

Speed Range:

- Operate the burr within the limits of the recommended speed range
- Running below the optimum speed may cause chipping
- Running above recommended speed will cause tooth wear
- Harder materials or gummy metals such as Titanium, require slower speeds

Do's:

- Choose the correct shape, diameter and cut style for each specific application
- Set the maximum length of the burr in the collet
- Slow down the speed for extra-long burrs, and do not exceed more than 15,000 RPM
- When selecting the appropriate air tool, ensure that it is regularly maintained
- Check the air tool before use to ensure it is running correctly
- Hold the air tool firmly and securely fix the workpiece
- Apply smooth cutting action with continuous movement
- Use light pressure and let the **SV-Burr** do the job!

Dont's :

- Do not use the burr above the Maximum Operating Speed (See the Recommended Speed Guide on page 6)
- Do not use the burr too slowly (See the Recommended Speed Guide on page 6)
- Do not expose the burr to excessive mechanical or thermal shock
- Do not drop the burr to more than one third of its periphery
- Do not clog the burr into gaps, pockets, grooves, crevices or cavities
- Avoid overheating to ensure that the brazed burr will not soften or detach the head from the shank *

* Note: This applies to burrs with a larger head diameter than shank diameter.

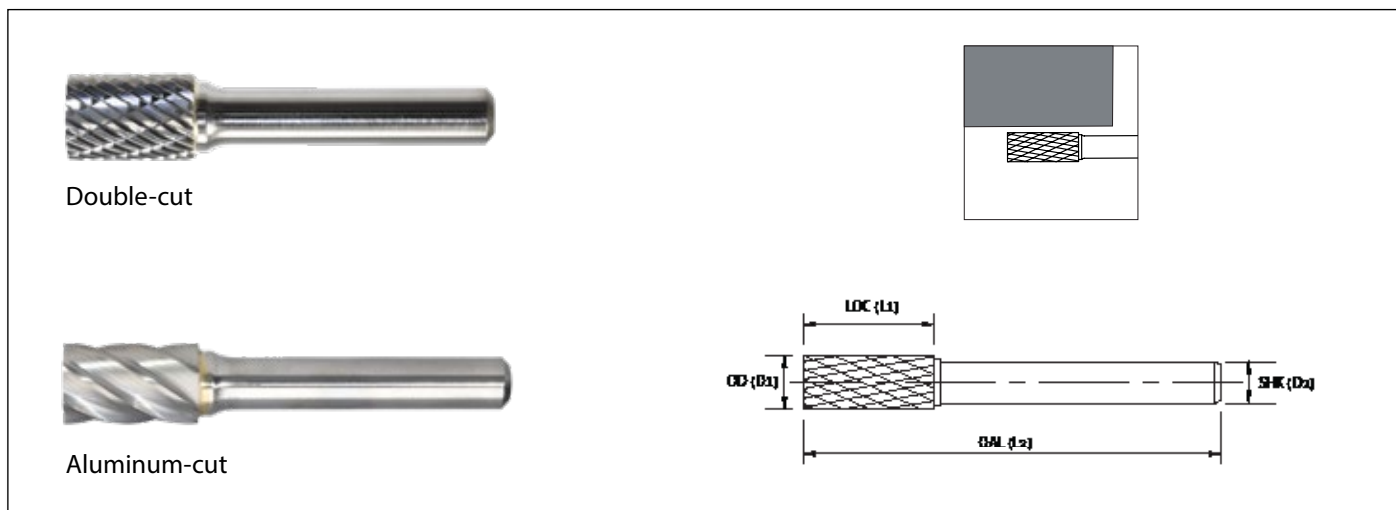
Recommended Speed Guide

The chart below provides general and comparative recommendations. To reach desired results, you may need to try a few variations. Long shank burrs should be used at reduced speeds.

Burr Diameter mm (Inch)	RPM
3mm (1/8") Solid Carbide	45,000 - 50,000
5mm (3/16") Solid Carbide	35,000 - 40,000
5mm (3/16") Carbide Head Brazed to 3mm (1/8") Steel Shank	30,000 - 35,000
6mm (1/4") Solid Carbide	30,000 - 35,000
6mm (1/4") Carbide Head Brazed to 3mm (1/8") Steel Shank	25,000 - 30,000
8mm (5/16") Carbide Head Brazed to 6mm (1/4") Steel Shank	25,000 - 30,000
10mm (3/8") Carbide Head Brazed to 6mm (1/4") Steel Shank	25,000 - 30,000
11mm (7/16") Carbide Head Brazed to 6mm (1/4") Steel Shank	20,000 - 25,000
12mm (1/2") Carbide Head Brazed to 6mm (1/4") Steel Shank	20,000 - 25,000
16mm (5/8") Carbide Head Brazed to 6mm (1/4") Steel Shank	15,000 - 20,000
18mm (3/4") Carbide Head Brazed to 6mm (1/4") Steel Shank	15,000 - 20,000
25mm (1") Carbide Head Brazed to 6mm (1/4") Steel Shank	12,000 - 18,000



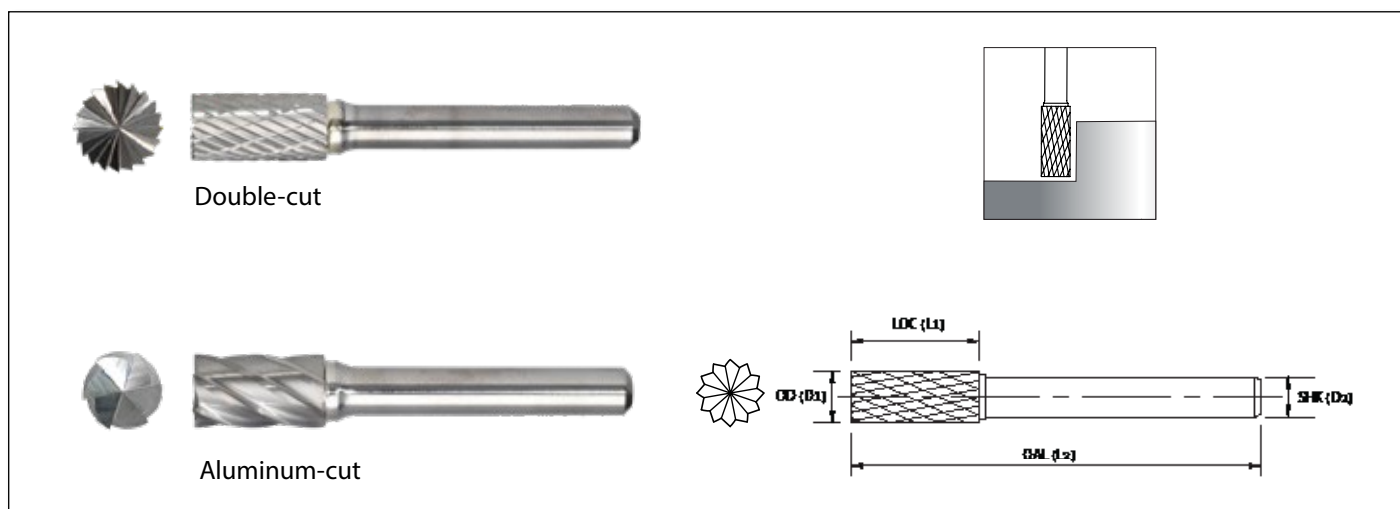
SA BURRS - CYLINDRICAL SHAPE WITHOUT END CUT



Dimensions			
OD	LOC	SHK	OAL
(D1)	(L1)	(D2)	(L2)

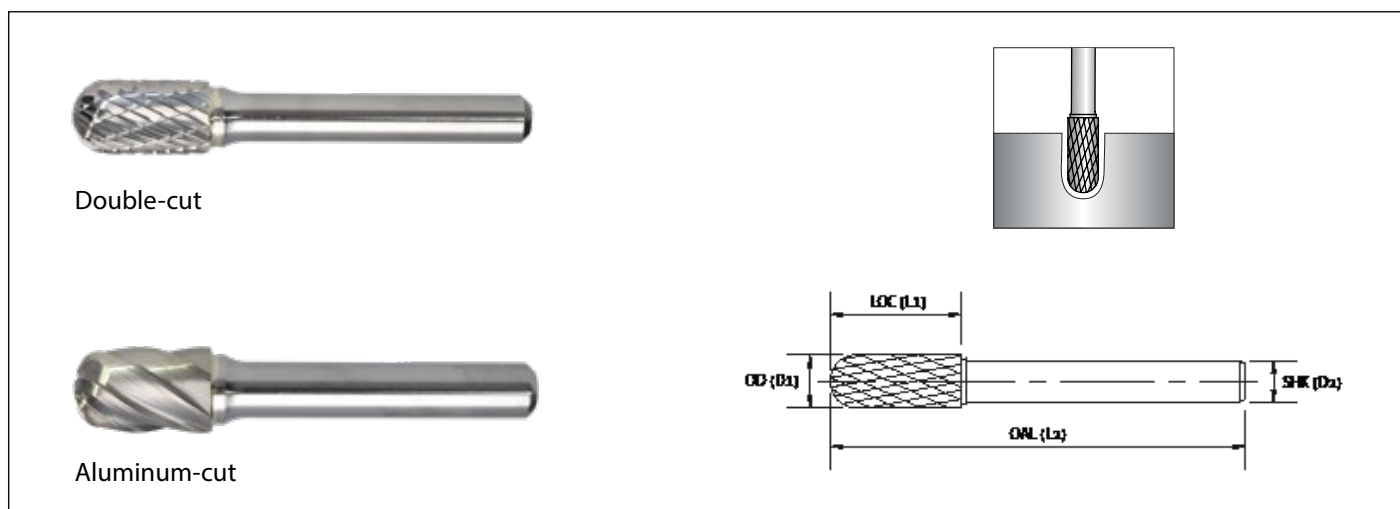
Item Number	Ordering Code	Description	mm			
			OD (D1)	LOC (L1)	SHK (D2)	OAL (L2)
G05-00001	SA-42SVMDC	SA Burrs - Cylindrical Shape without End Cut	2.5	11	3	38
G05-00002	SA-51SVMDC	SA Burrs - Cylindrical Shape without End Cut	6.3	12.7	3	50
G05-00003	SA-15SVMDC	SA Burrs - Cylindrical Shape without End Cut	6	16	6	50
G05-00004	SA-25SVMDC	SA Burrs - Cylindrical Shape without End Cut	8	19	6	64
G05-00005	SA-35SVMFM	SA Burrs - Cylindrical Shape without End Cut	9.5	19	6	64
G05-00006	SA-35SVMDC	SA Burrs - Cylindrical Shape without End Cut	9.5	19	6	64
G05-00007	SA-55SVMFM	SA Burrs - Cylindrical Shape without End Cut	12.7	25	6	70
G05-00008	SA-55SVMDC	SA Burrs - Cylindrical Shape without End Cut	12.7	25	6	70
G05-00009	SA-65SVMDC	SA Burrs - Cylindrical Shape without End Cut	16	25	6	70
			Inch			
G05-00010	SA-15SVIFM	SA Burrs - Cylindrical Shape without End Cut	1/4	5/8	1/4	2
G05-00011	SA-15VIDC	SA Burrs - Cylindrical Shape without End Cut	1/4	5/8	1/4	2
G05-00012	SA-14SVIDC	SA Burrs - Cylindrical Shape without End Cut	3/16	5/8	1/4	2
G05-00013	SA-35VIDC	SA Burrs - Cylindrical Shape without End Cut	3/8	3/4	1/4	2-1/2
G05-00014	SA-35VIFM	SA Burrs - Cylindrical Shape without End Cut	3/8	3/4	1/4	2-1/2
G05-00015	SA-3L6SVIDC	SA Burrs - Cylindrical Shape without End Cut	3/8	3/4	1/4	6-3/4
G05-00016	SA-43SVIDC	SA Burrs - Cylindrical Shape without End Cut	1/8	9/16	1/8	1-1/2
G05-00017	SA-55VIDC	SA Burrs - Cylindrical Shape without End Cut	1/2	1	1/4	2-3/4
G05-00018	SA-55VIFM	SA Burrs - Cylindrical Shape without End Cut	1/2	1	1/4	2-3/4
G05-00019	SA-5L6SVIDC	SA Burrs - Cylindrical Shape without End Cut	1/2	1	1/4	7
G05-00020	SA-65VIDC	SA Burrs - Cylindrical Shape without End Cut	5/8	1	1/4	2-3/4

SB BURRS - CYLINDRICAL SHAPE WITH END CUT



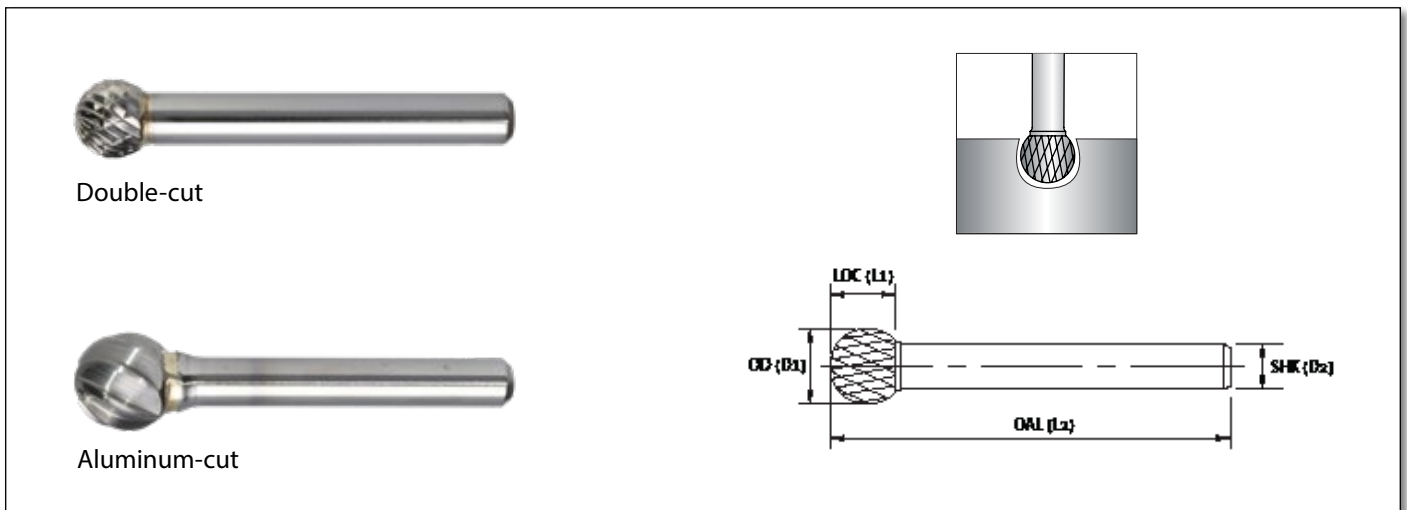
Item Number	Ordering Code	Description	Dimensions			
			OD	LOC	SHK	OAL
			(D1)	(L1)	(D2)	(L2)
			mm			
G06-00001	SB-43SVMDC	SB Burrs - Cylindrical Shape with End Cut	3	14	3	38
G06-00002	SB-43 L3 SVMDC	SB Burrs - Cylindrical Shape with End Cut	3	14	3	75
G06-00003	SB-15VMDC	SB Burrs - Cylindrical Shape with End Cut	6	16	6	50
G06-00004	SB-25VMDC	SB Burrs - Cylindrical Shape with End Cut	8	19	6	64
G06-00005	SB-35VMFM	SB Burrs - Cylindrical Shape with End Cut	9.5	19	6	64
G06-00006	SB-35VMDC	SB Burrs - Cylindrical Shape with End Cut	9.5	19	6	64
G06-00007	SB-3 L6 SVMDC	SB Burrs - Cylindrical Shape with End Cut	9.5	19	6	169
G06-00008	SB-55VMFM	SB Burrs - Cylindrical Shape with End Cut	12.7	25	6	70
G06-00009	SB-55VMDC	SB Burrs - Cylindrical Shape with End Cut	12.7	25	6	70
G06-00010	SB-5 L6 SVMDC	SB Burrs - Cylindrical Shape with End Cut	12.7	25	6	175
G06-00011	SB-65VMDC	SB Burrs - Cylindrical Shape with End Cut	16	25	6	70
			Inch			
G06-00012	SB-15VIDC	SB Burrs - Cylindrical Shape with End Cut	1/4	5/8	1/4	2
G06-00013	SB-15VIFM	SB Burrs - Cylindrical Shape with End Cut	1/4	5/8	1/4	2
G06-00014	SB-35VIDC	SB Burrs - Cylindrical Shape with End Cut	3/8	3/4	1/4	2-1/2
G06-00015	SB-35VIFM	SB Burrs - Cylindrical Shape with End Cut	3/8	3/4	1/4	2-1/2
G06-00016	SB-3 L6 VIDC	SB Burrs - Cylindrical Shape with End Cut	3/8	3/4	1/4	6-3/4
G06-00017	SB-43VIDC	SB Burrs - Cylindrical Shape with End Cut	1/8	9/16	1/8	1-1/2
G06-00018	SB-55VIDC	SB Burrs - Cylindrical Shape with End Cut	1/2	1	1/4	2-3/4
G06-00019	SB-55VIFM	SB Burrs - Cylindrical Shape with End Cut	1/2	1	1/4	2-3/4
G06-00020	SB-5 L6 VIDC	SB Burrs - Cylindrical Shape with End Cut	1/2	1	1/4	7

SC BURRS - RADIUS CYLINDRICAL SHAPE



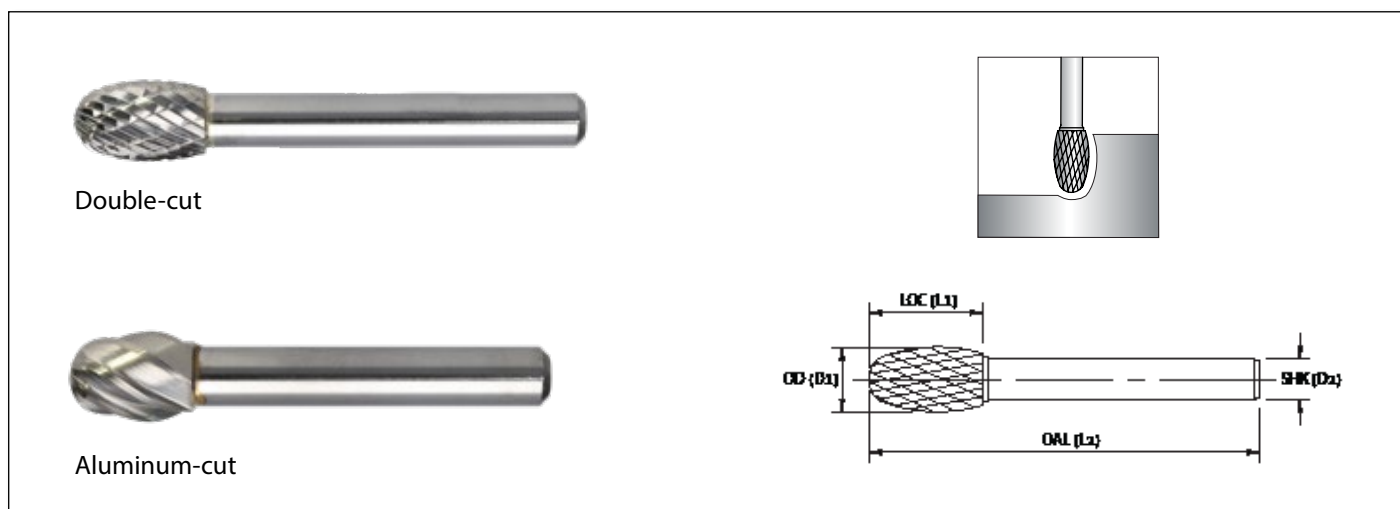
Item Number	Ordering Code	Description	Dimensions			
			OD	LOC	SHK	OAL
			(D1)	(L1)	(D2)	(L2)
			mm			
G07-00001	SC-42SVMDC	SC Burrs - Radius Cylindrical Shape	3	14	3	38
G07-00002	SC-42 L3 SVMDC	SC Burrs - Radius Cylindrical Shape	3	14	3	75
G07-00003	SC-51SVMDC	SC Burrs - Radius Cylindrical Shape	6.3	12.7	3	50
G07-00004	SC-15VMDC	SC Burrs - Radius Cylindrical Shape	6	16	6	50
G07-00005	SC-25VMDC	SC Burrs - Radius Cylindrical Shape	8	19	6	64
G07-00006	SC-35VMF M	SC Burrs - Radius Cylindrical Shape	9.5	19	6	64
G07-00007	SC-35VMDC	SC Burrs - Radius Cylindrical Shape	9.5	19	6	64
G07-00008	SC-3 L6 SVMDC	SC Burrs - Radius Cylindrical Shape	9.5	19	6	169
G07-00009	SC-55VMF M	SC Burrs - Radius Cylindrical Shape	12.7	25	6	70
G07-00010	SC-55VMDC	SC Burrs - Radius Cylindrical Shape	12.7	25	6	70
G07-00011	SC-55V M L6DC	SC Burrs - Radius Cylindrical Shape	12.7	25	6	175
G07-00012	SC-65VMDC	SC Burrs - Radius Cylindrical Shape	16	25	6	70
			Inch			
G07-00013	SC-15SV I DC	SC Burrs - Radius Cylindrical Shape	1/4	5/8	1/4	2
G07-00014	SC-35SV I DC	SC Burrs - Radius Cylindrical Shape	3/8	3/4	1/4	2-1/2
G07-00015	SC-35SV I F M	SC Burrs - Radius Cylindrical Shape	3/8	3/4	1/4	2-1/2
G07-00016	SC-3 L6 SV I DC	SC Burrs - Radius Cylindrical Shape	3/8	3/4	1/4	6-3/4
G07-00017	SC-42SV I DC	SC Burrs - Radius Cylindrical Shape	1/8	9/16	1/8	1-1/2
G07-00018	SC-55SV I DC	SC Burrs - Radius Cylindrical Shape	1/2	1	1/4	2-3/4
G07-00019	SC-55SV I F M	SC Burrs - Radius Cylindrical Shape	1/2	1	1/4	2-3/4
G07-00020	SC-5 L6 SV I DC	SC Burrs - Radius Cylindrical Shape	1/2	1	1/4	7
G07-00021	SC-51SV I DC	SC Burrs - Radius Cylindrical Shape	1/4	1/2	1/8	2

SD BURRS - BALL SHAPE



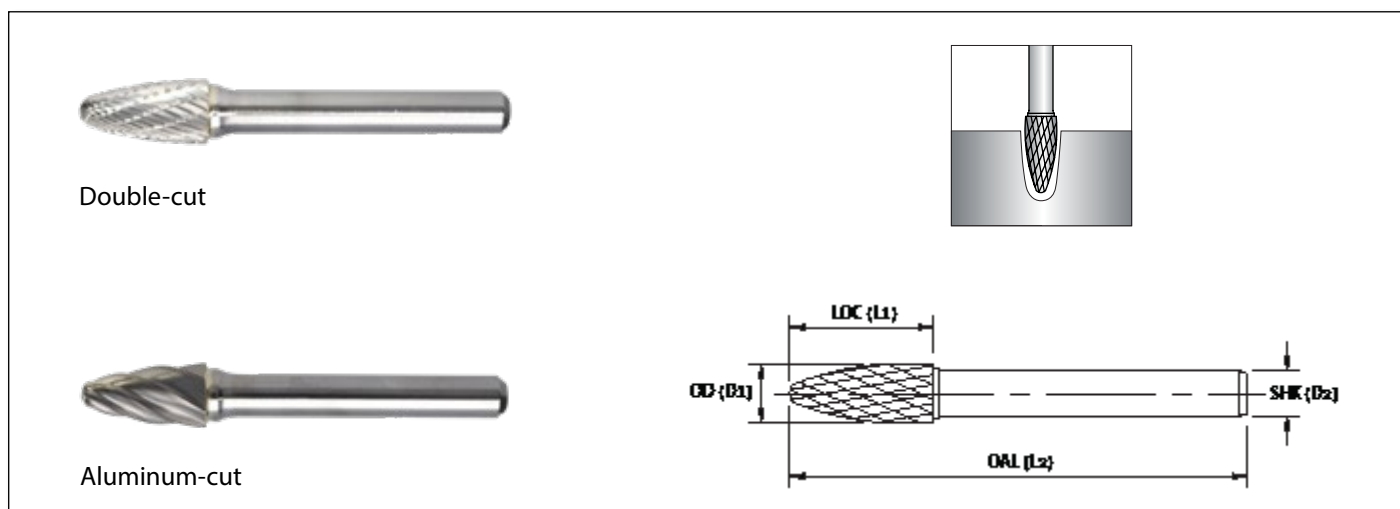
Item Number	Ordering Code	Description	Dimensions			
			OD	LOC	SHK	OAL
			(D1)	(L1)	(D2)	(L2)
			mm			
G08-00001	SD-42SVMDC	SD Burrs - Ball Shape	3	2.5	3	38
G08-00002	SD-42 L3 SVMDC	SD Burrs - Ball Shape	3	2.5	3	75
G08-00003	SD-51SVMDC	SD Burrs - Ball Shape	6.3	5	3	44
G08-00004	SD-1SVMDC	SD Burrs - Ball Shape	6	5	6	50
G08-00005	SD-2SVMDC	SD Burrs - Ball Shape	8	6.4	6	51.4
G08-00006	SD-3SVMF M	SD Burrs - Ball Shape	9.5	8	6	53
G08-00007	SD-3SV MDC	SD Burrs - Ball Shape	9.5	8	6	53
G08-00008	SD-3 L6 SVMDC	SD Burrs - Ball Shape	9.5	8	6	158
G08-00009	SD-5SVMF M	SD Burrs - Ball Shape	12.7	11	6	56
G08-00010	SD-5SV MDC	SD Burrs - Ball Shape	12.7	11	6	56
G08-00011	SD-5 L6 SVMDC	SD Burrs - Ball Shape	12.7	11	6	161
G08-00012	SD-6SV MDC	SD Burrs - Ball Shape	16	14	6	59
			Inch			
G08-00013	SD-1SV IDC	SD Burrs - Ball Shape	1/4	7/32	1/4	2
G08-00014	SD-42SV IDC	SD Burrs - Ball Shape	1/8	1/8	1/8	1-1/2
G08-00015	SD-3SV IDC	SD Burrs - Ball Shape	3/8	5/16	1/4	2-1/8
G08-00016	SD-5SV IDC	SD Burrs - Ball Shape	1/2	7/16	1/4	2-1/4
G08-00017	SD-5SV IFM	SD Burrs - Ball Shape	1/2	7/16	1/4	2-1/4
G08-00018	SD-5 L6 SV IDC	SD Burrs - Ball Shape	1/2	7/16	1/4	6-1/2
G08-00019	SD-51SV IDC	SD Burrs - Ball Shape	1/4	7/32	1/8	1-3/4

SE BURRS - OVAL SHAPE



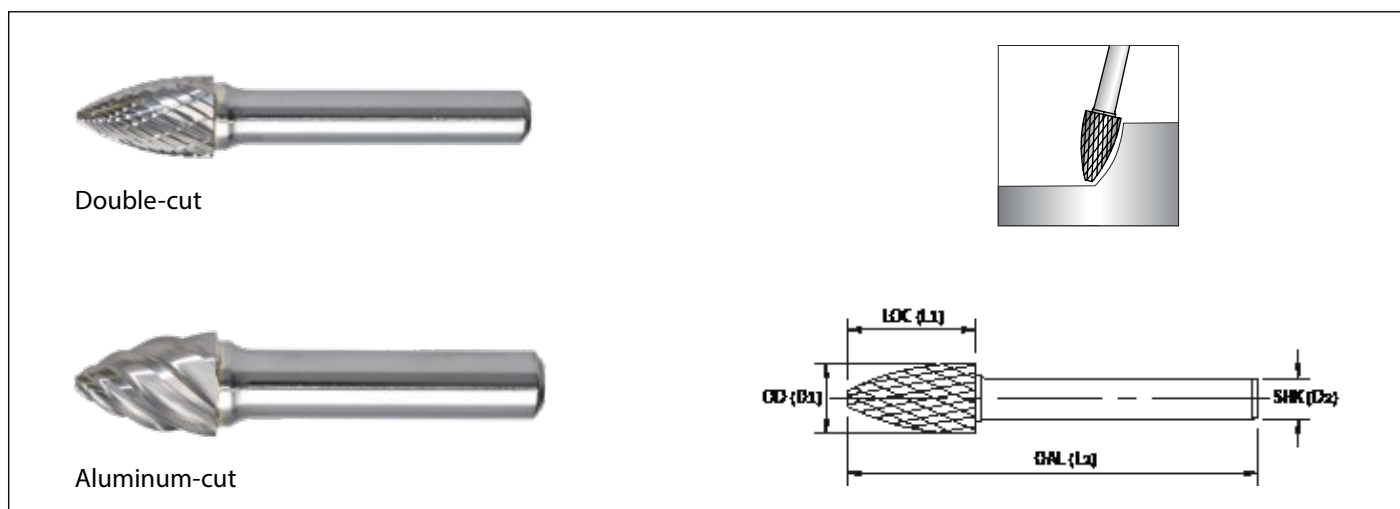
Item Number	Ordering Code	Description	Dimensions			
			OD	LOC	SHK	OAL
			(D1)	(L1)	(D2)	(L2)
			mm			
G09-00001	SE-41SVMDC	SE Burrs - Oval Shape	3	5.5	3	38
G09-00002	SE-51SVMDC	SE Burrs - Oval Shape	6.3	9.5	3	47
G09-00003	SE-1SVMDC	SE Burrs - Oval Shape	6	9.5	6	50
G09-00004	SE-3SVMDC	SE Burrs - Oval Shape	9.5	16	6	61
G09-00005	SE-5SVMDC	SE Burrs - Oval Shapes	12.7	22	6	67
G09-00006	SE-6SVMDC	SE Burrs - Oval Shape	16	25	6	70
			Inch			
G09-00007	SE-1SVIDC	SE Burrs - Oval Shape	1/4	3/8	1/4	2
G09-00008	SE-3SVIDC	SE Burrs - Oval Shape	3/8	5/8	1/4	2-3/8
G09-00009	SE-3SVIFM	SE Burrs - Oval Shape	3/8	5/8	1/4	2-3/8
G09-00010	SE-3 L6 SVIDC	SE Burrs - Oval Shape	3/8	5/8	1/4	6-5/8
G09-00011	SE-41SVIDC	SE Burrs - Oval Shape	1/8	7/32	1/8	1-1/2
G09-00012	SE-5SVIDC	SE Burrs - Oval Shape	1/2	7/8	1/4	2-5/8
G09-00013	SE-5SVIFM	SE Burrs - Oval Shape	1/2	7/8	1/4	2-5/8
G09-00014	SE-5 L6 SVIDC	SE Burrs - Oval Shape	1/2	7/8	1/4	6-7/8

SF BURRS - RADIUS TREE SHAPE



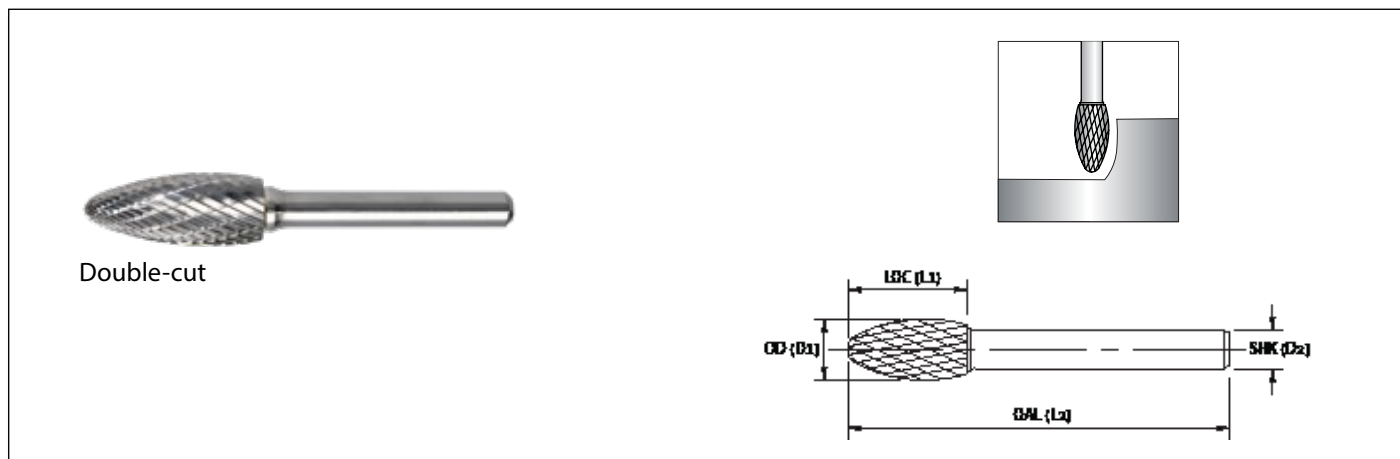
Item Number	Ordering Code	Description	Dimensions			
			OD	LOC	SHK	OAL
			(D1)	(L1)	(D2)	(L2)
			mm			
G10-00001	SF-42SVMDC	SF Burrs - Radius Tree Shape	3	12.7	3	38
G10-00002	SF-42 L3 SVMDC	SF Burrs - Radius Tree Shape	3	12.7	3	75
G10-00003	SF-51SVMDC	SF Burrs - Radius Tree Shape	6.3	12.7	3	50
G10-00004	SF-1SVMDC	SF Burrs - Radius Tree Shape	6	16	6	50
G10-00005	SF-3SVFM	SF Burrs - Radius Tree Shape	9.5	19	6	64
G10-00006	SF-3SVMDC	SF Burrs - Radius Tree Shape	9.5	19	6	64
G10-00007	SF-3 L6 SVMDC	SF Burrs - Radius Tree Shape	9.5	19	6	169
G10-00008	SF-5SVFM	SF Burrs - Radius Tree Shape	12.7	25	6	70
G10-00009	SF-5SVMDC	SF Burrs - Radius Tree Shape	12.7	25	6	70
G10-00010	SF-5 L6 SVMDC	SF Burrs - Radius Tree Shape	12.7	25	6	175
G10-00011	SF-6SVMDC	SF Burrs - Radius Tree Shape	16	25	6	70
			Inch			
G10-00012	SF-1SVIDC	SF Burrs - Radius Tree Shape	1/4	5/8	1/4	2
G10-00013	SF-3SVIDC	SF Burrs - Radius Tree Shape	3/8	3/4	1/4	2-1/2
G10-00014	SF-3SVIFM	SF Burrs - Radius Tree Shape	3/8	3/4	1/4	2-1/2
G10-00015	SF-3 L6 SVIDC	SF Burrs - Radius Tree Shape	3/8	3/4	1/4	6-3/4
G10-00016	SF-42SVIDC	SF Burrs - Radius Tree Shape	1/8	1/2	1/8	1-1/2
G10-00017	SF-5SVIDC	SF Burrs - Radius Tree Shape	1/2	1	1/4	2-3/4
G10-00018	SF-5SVIFM	SF Burrs - Radius Tree Shape	1/2	1	1/4	2-3/4
G10-00019	SF-5 L6 SVIDC	SF Burrs - Radius Tree Shape	1/2	1	1/4	7
G10-00020	SF-6SVIDC	SF Burrs - Radius Tree Shape	5/8	1	1/4	2-3/4

SG BURRS - POINTED TREE SHAPE



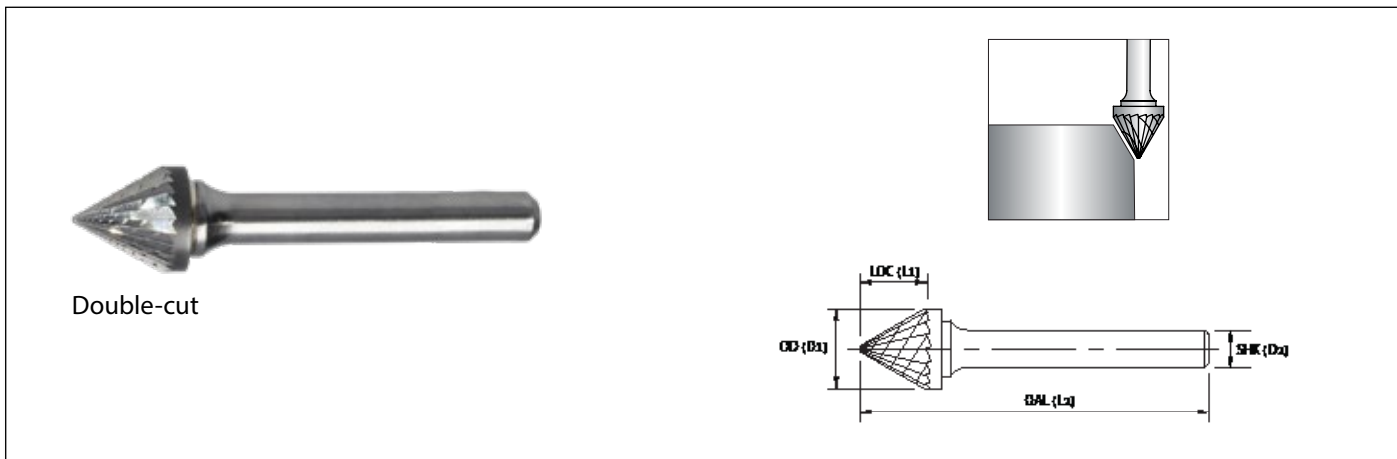
Item Number	Ordering Code	Description	Dimensions			
			OD	LOC	SHK	OAL
			(D1)	(L1)	(D2)	(L2)
			mm			
G11-00001	SG-44SVMDC	SG Burrs - Pointed Tree Shape	3	12.7	3	38
G11-00002	SG-51SVMDC	SG Burrs - Pointed Tree Shape	6.3	12.7	3	50
G11-00003	SG-1SVMDC	SG Burrs - Pointed Tree Shape	6	16	6	50
G11-00004	SG-2SVMDC	SG Burrs - Pointed Tree Shape	8	19	6	64
G11-00005	SG-3SVMFM	SG Burrs - Pointed Tree Shape	9.5	19	6	64
G11-00006	SG-3SVMDC	SG Burrs - Pointed Tree Shape	9.5	19	6	64
G11-00007	SG-5SVMFM	SG Burrs - Pointed Tree Shape	12.7	25	6	70
G11-00008	SG-5SVMDC	SG Burrs - Pointed Tree Shape	12.7	25	6	70
G11-00009	SG-6SVMDC	SG Burrs - Pointed Tree Shape	16	25	6	70
			Inch			
G11-00010	SG-1SVIDC	SG Burrs - Pointed Tree Shape	1/4	5/8	1/4	2
G11-00011	SG-3SVIDC	SG Burrs - Pointed Tree Shape	3/8	3/4	1/4	2-1/2
G11-00012	SG-3 L6 SVIDC	SG Burrs - Pointed Tree Shape	3/8	3/4	1/4	6-3/4
G11-00013	SG-43SVIDC	SG Burrs - Pointed Tree Shape	1/8	3/8	1/8	1-1/2
G11-00014	SG-5SVIDC	SG Burrs - Pointed Tree Shape	1/2	1	1/4	2-3/4
G11-00015	SG-5 L6 SVIDC	SG Burrs - Pointed Tree Shape	1/2	1	1/4	7

SH BURRS - FLAME SHAPE



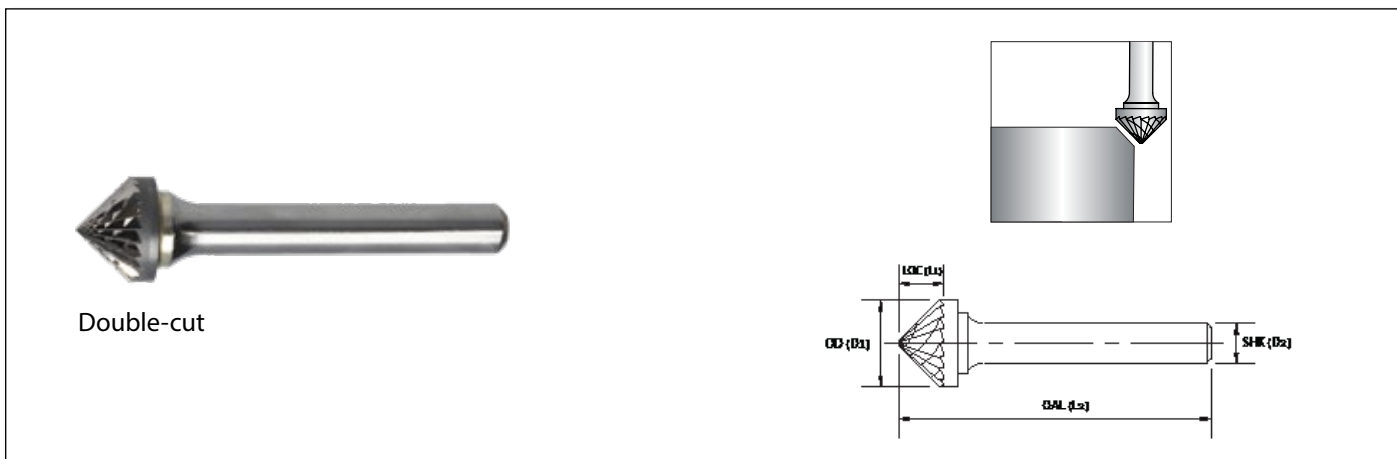
Item Number	Ordering Code	Description	Dimensions			
			OD (D1)	LOC (L1)	SHK (D2)	OAL (L2)
			mm			
G13-00001	SH-41SVMDC	SH Burrs - Flame Shape	3	6.3	3	38
G13-00002	SH-1SVMDC	SH Burrs - Flame Shape	6	12.7	6	50
G13-00003	SH-2SVMDC	SH Burrs - Flame Shape	8	19	6	64
G13-00004	SH-5SVMDC	SH Burrs - Flame Shape	12.7	32	6	77
G13-00005	SH-6SVMDC	SH Burrs - Flame Shape	16	36	6	81
			Inch			
G13-00006	SH-1SVIDC	SH Burrs - Flame Shape	1/4	1/2	1/4	2
G13-00007	SH-2SVIDC	SH Burrs - Flame Shape	5/16	3/4	1/4	2-1/2
G13-00008	SH-41SVIDC	SH Burrs - Flame Shape	1/8	1/4	1/8	1-1/2
G13-00009	SH-5SVIDC	SH Burrs - Flame Shape	1/2	1-1/4	1/4	3

SJ BURRS - 60° CONE SHAPE



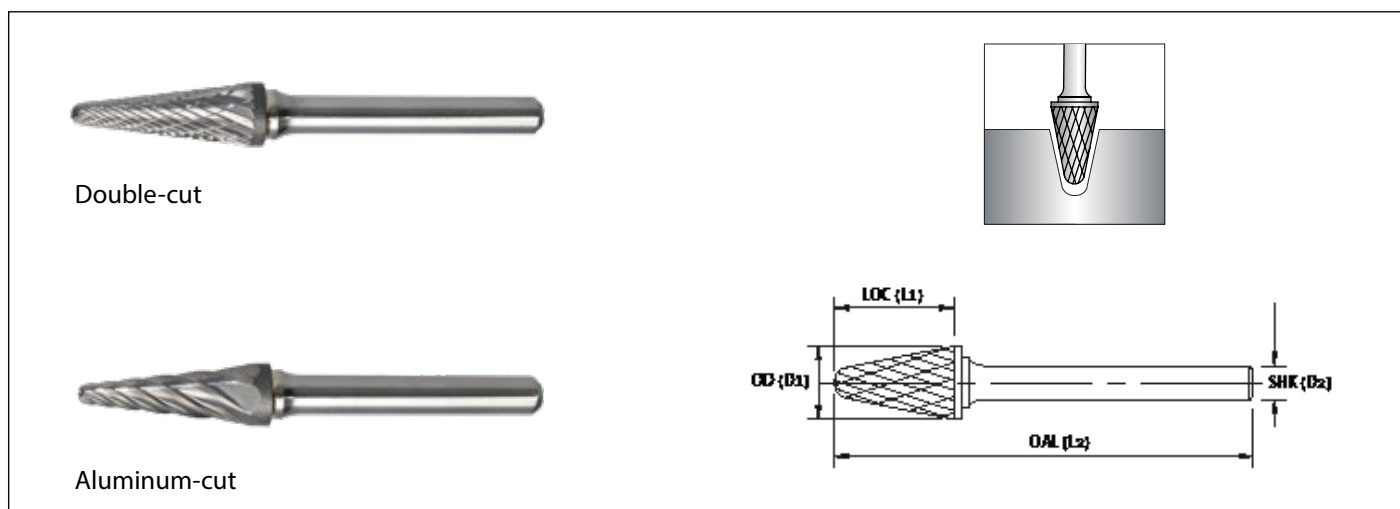
				Dimensions				
				OD	LOC	SHK	OAL	
				(D1)	(L1)	(D2)	(L2)	
				mm				
Item Number	Ordering Code	Description						
G14-00001	SJ-15VMDC	SJ Burrs - 60° Cone Shape	6	4	6	50		
G14-00002	SJ-35VMDC	SJ Burrs - 60° Cone Shape	9.5	8	6	53		
G14-00003	SJ-55VMDC	SJ Burrs - 60° Cone Shape	12.7	11	6	56		
G14-00004	SJ-65VMDC	SJ Burrs - 60° Cone Shape	16	14.5	6	59.5		

SK BURRS - 90° CONE SHAPE



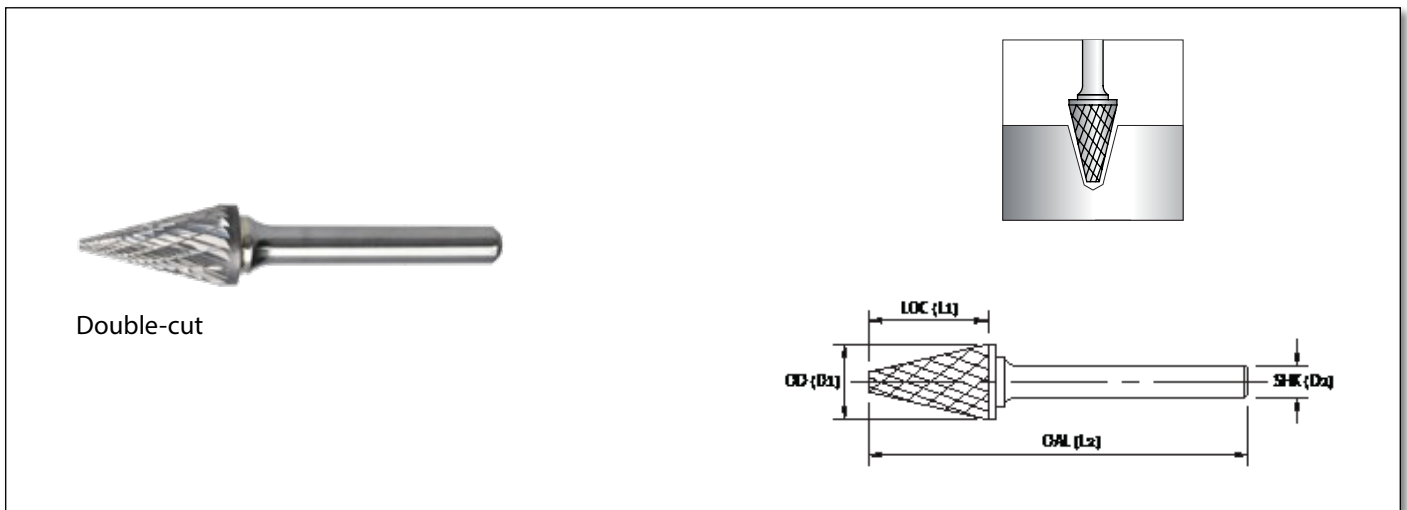
				Dimensions				
				OD	LOC	SHK	OAL	
				(D1)	(L1)	(D2)	(L2)	
				mm				
Item Number	Ordering Code	Description						
G15-00001	SK-15VMDC	SK Burrs - 90° Cone Shape	6	3	6	50		
G15-00002	SK-35VMDC	SK Burrs - 90° Cone Shape	9.5	4.7	6	49.7		
G15-00003	SK-55VMDC	SK Burrs - 90° Cone Shape	12.7	6.3	6	51.3		
G15-00004	SK-65VMDC	SK Burrs - 90° Cone Shape	16	8	6	53		

SL BURRS - RADIUS CONE SHAPE



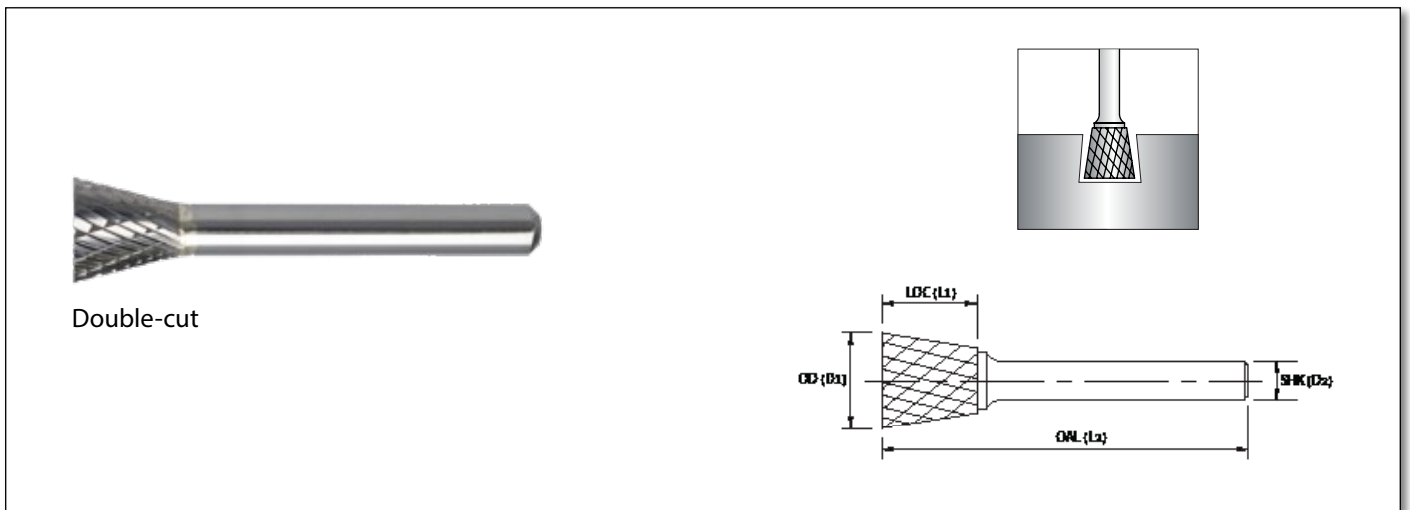
Item Number	Ordering Code	Description	Dimensions				
			OD	LOC	SHK	OAL	Angle
			(D1)	(L1)	(D2)	(L2)	DEG°
			mm				
G12-00001	SL-42SVMDC	SL Burrs - Radius Cone Shape	3	12.7	3	38	8
G12-00002	SL-1SVMDC	SL Burrs - Radius Cone Shape	6	16	6	50	14
G12-00003	SL-2SVMDC	SL Burrs - Radius Cone Shape	8	22	6	67	14
G12-00004	SL-2SVMFMM	SL Burrs - Radius Cone Shape	8	22	6	67	14
G12-00005	SL-3SVML6DC	SL Burrs - Radius Cone Shape	9.5	27	6	177	14
G12-00006	SL-4SVMFMM	SL Burrs - Radius Cone Shape	12.7	28	6	73	14
G12-00007	SL-4SVMDC	SL Burrs - Radius Cone Shape	12.7	28	6	73	14
G12-00008	SL-4SVML6DC	SL Burrs - Radius Cone Shape	12.7	28	6	178	14
G12-00009	SL-5SVMDC	SL Burrs - Radius Cone Shape	16	30	6	75	14
			Inch				
G12-00010	SL-1SVIDC	SL Burrs - Radius Cone Shape	1/4	5/8	1/4	2	14
G12-00011	SL-3SVIDC	SL Burrs - Radius Cone Shape	3/8	1-1/16	1/4	2-13/16	14
G12-00012	SL-3SVIFM	SL Burrs - Radius Cone Shape	3/8	1-1/16	1/4	2-13/16	14
G12-00013	SL-3L6SVIDC	SL Burrs - Radius Cone Shape	3/8	1-1/16	1/4	7-1/16	14
G12-00014	SL-41SVIDC	SL Burrs - Radius Cone Shape	1/8	3/8	1/8	1-1/2	8
G12-00015	SL-4SVIDC	SL Burrs - Radius Cone Shape	1/2	1-1/8	1/4	3-1/64	14
G12-00016	SL-4SVIFM	SL Burrs - Radius Cone Shape	1/2	1-1/8	1/4	3-1/64	14
G12-00017	SL-4L6SVIDC	SL Burrs - Radius Cone Shape	1/2	1-1/8	1/4	7-1/8	14
G12-00018	SL-7SVIFM	SL Burrs - Radius Cone Shape	3/4	1-1/2	1/4	3-1/4	14

SM BURRS - POINTED CONE SHAPE



Item Number	Ordering Code	Description	Dimensions				
			OD	LOC	SHK	OAL	Angle
			(D1)	(L1)	(D2)	(L2)	DEG°
			mm				
G17-00001	SM-42SVMDC	SM Burrs - Pointed Cone Shape	3	11	3	38	14
G17-00002	SM-43SVMDC	SM Burrs - Pointed Cone Shape	3	16	3	38	7
G17-00003	SM-1SVMDC	SM Burrs - Pointed Cone Shape	6	12.7	6	50	12
G17-00004	SM-2SVMDC	SM Burrs - Pointed Cone Shape	6	19	6	50	12
G17-00005	SM-4SVMDC	SM Burrs - Pointed Cone Shape	9.5	16	6	61	28
G17-00006	SM-5SVMDC	SM Burrs - Pointed Cone Shapes	12.7	22	6	67	28
			Inch				
G17-00007	SM-1SVIDC	SM Burrs - Pointed Cone Shape	1/4	1/2	1/4	2	22
G17-00008	SM-41SVIDC	SM Burrs - Pointed Cone Shape	1/8	11/32	1/8	1-1/2	12
G17-00009	SM-4SVIDC	SM Burrs - Pointed Cone Shape	3/8	5/8	1/4	2-1/2	28
G17-00010	SM-43SVIDC	SM Burrs - Pointed Cone Shape	1/8	5/8	1/8	1-1/2	7
G17-00011	SM-5SVIDC	SM Burrs - Pointed Cone Shape	1/2	7/8	1/4	2-3/4	28

SN BURRS - INVERTED CONE SHAPE



Item Number	Ordering Code	Description	Dimensions				Angle DEG°
			OD	LOC	SHK	OAL	
			(D1)	(L1)	(D2)	(L2)	
mm							
G16-00001	SN-42SVMDC	SN Burrs - Inverted Cone Shape	3	4	3	38	10
G16-00002	SN-51SVMDC	SN Burrs - Inverted Cone Shape	6.3	6	3	44	10
G16-00003	SN-2SVMDC	SN Burrs - Inverted Cone Shape	9.5	9.5	6	54.5	13
G16-00004	SN-4SVMDC	SN Burrs - Inverted Cone Shape	12.7	12.7	6	57.7	28
G16-00005	SN-6SVMDC	SN Burrs - Inverted Cone Shape	16	19	6	64	18

TROUBLESHOOTING

POSSIBLE PROBLEMS & SOLUTIONS	Excessive Force	Heat Due to Shank Friction	Worn-out Flutes	Jammed in the Workpiece	Tool Dropped	Wrong Positioning in Collet	Degraded Product Bearings	Deformed Shank	Unstable Performance	Use Coarser Geometry	Use Finer Geometry	Use Double Cut or Chip Breaker Geometry	Adjust the Feed for Soft Material	Increase Speed	Decrease Speed	Apply non-adhesive substance	Faster Feed Rate	Slower Feed	Abrasive Material	Poor Set-Up	Adjust for Better Support
Braze Failure	X	X	X	X	X																
Poor Hand Control						X	X	X	X		X	X									X
Chipping/Cracking				X	X				X					X							
Carbide Fracture				X	X				X												
Clogging										X			X			X					
Tool Vibration														X	X		X	X			X
Poor Finish						X	X	X	X		X			X	X		X				X
Poor Tool Life		X	X			X	X	X	X					X	X		X	X	X	X	X
Limited Handpiece Speed Range												X		X							
Increased Hardness of Workpiece	X		X							X		X			X			X			
Long Series Burrs																				X	X



Visit VARGUS

SHAVIV

Leading Deburring Solutions

Contact info

VARGUS Ltd.

mrktg@vargus.com

www.vargus.com

221-01915
INT'L - EE
08/2023
EDITION 01