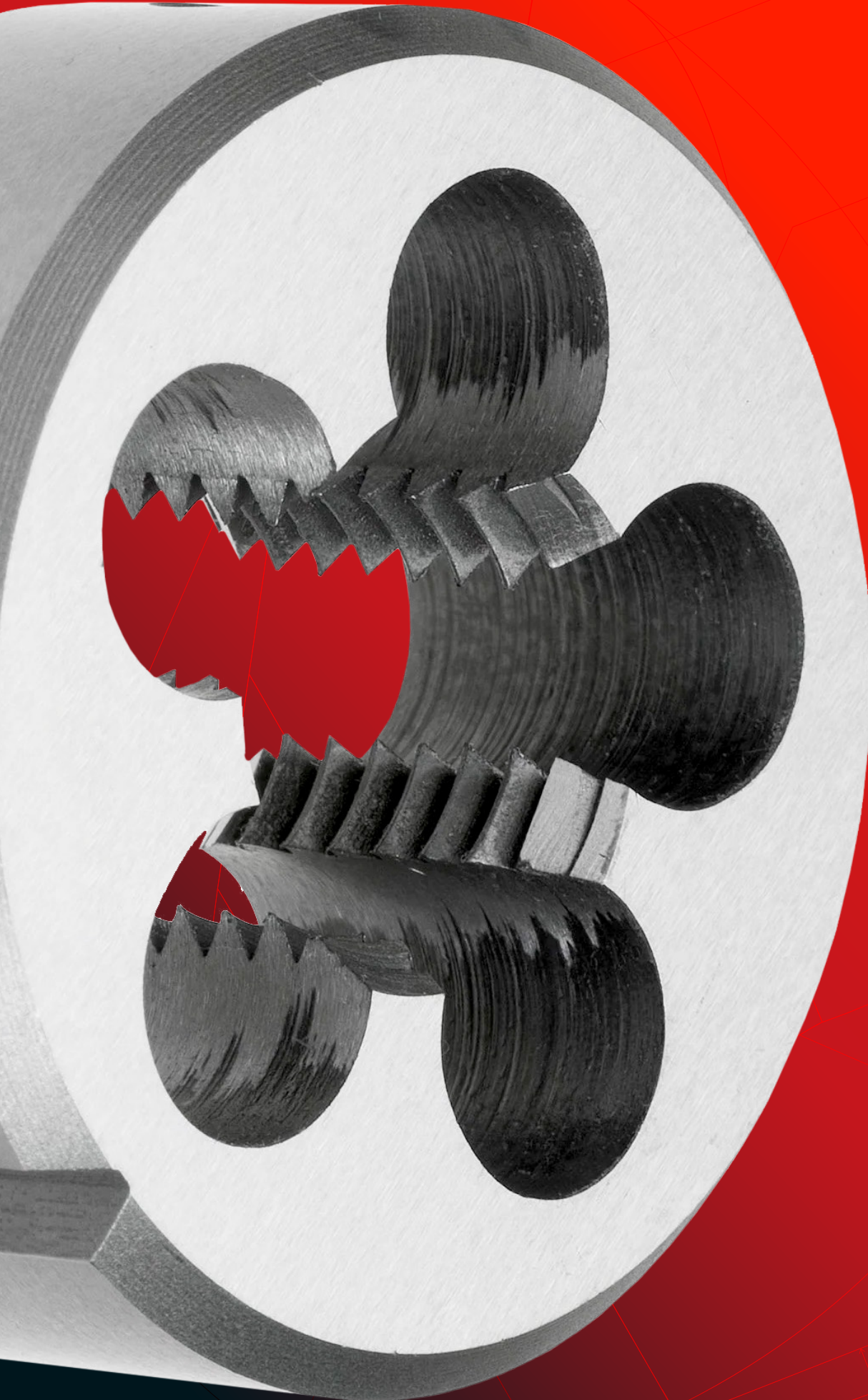


Helion
WORKING
FOR YOUR
SUCCESS

THREAD LINE

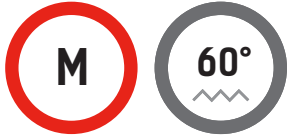


Round Dies Index

Ref.	Description	Pag.
1001	Round die M - RH 6g HSS EN 22568 UNI	4-5
1011	Round die M - LH 6g HSS EN 22568 UNI	4
1501	Round die M - RH 6g HSS spiral point EN 22568 UNI	4
1531	Round die M - RH 6g HSSE nitrated spiral point EN 22568 VA	4
1061	Round die M - RH 6e HSS EN 22568 UNI	5
1002	Round die M - RH 6g HSS EN 22568	6-7
1502	Round die M - RH 6g HSS spiral point EN 22568 UNI	6-7
1512	Round die M - LH 6g HSS EN 22568 UNI	6-7
1532	Round die M - RH 6g HSSE nitrated spiral point EN 22568 VA	6-7
1003	Round die W - RH HSS EN 22568	8
1503	Round die W - RH HSS spiral point EN 22568 UNI	8
1013	Round die W - LH HSS EN 22568 UNI	8
1004	Round die G - RH HSS EN 24231	9
1504	Round die G - RH HSS spiral point EN 24231 UNI	9
1014	Round die G - LH HSS EN 24231 UNI	9
1534	Round die G - RH HSSE nitrated spiral point EN 24231 VA	9
1005	Round die UNC - RH 2A HSS EN 22568	10
1505	Round die UNC - RH 2A HSS spiral point EN 22568 UNI	10
1015	Round die UNC - LH 2A HSS EN 22568 UNI	10
1535	Round die UNC - RH 2A HSSE nitrated spiral point EN 22568 VA	10
1006	Round die UNF - RH 2A HSS EN 22568	11
1506	Round die UNF - RH 2A HSS spiral point EN 22568 UNI	11
1016	Round die UNF - LH 2A HSS EN 22568 UNI	11
1536	Round die UNF - RH 2A HSSE nitrated spiral point EN 22568 VA	11
15061	Round die UNEF - RH 2A HSS spiral point EN 22568 UNI	12
10071	Round die UNS - RH 2A HSS spiral point EN 22568 UNI	13
15031	Round die 8 UN - RH 2A HSS spiral point EN 22568 UNI	14
15041	Round die 12 UN - RH 2A HSS spiral point EN 22568 UNI	15
1508	Round die NPT - RH HSS spiral point EN 22568 UNI	16
15081	Round die NPTF - RH HSS spiral point EN 22568 UNI	16
1507	Round die PG - RH HSS spiral point EN 22568 UNI	17

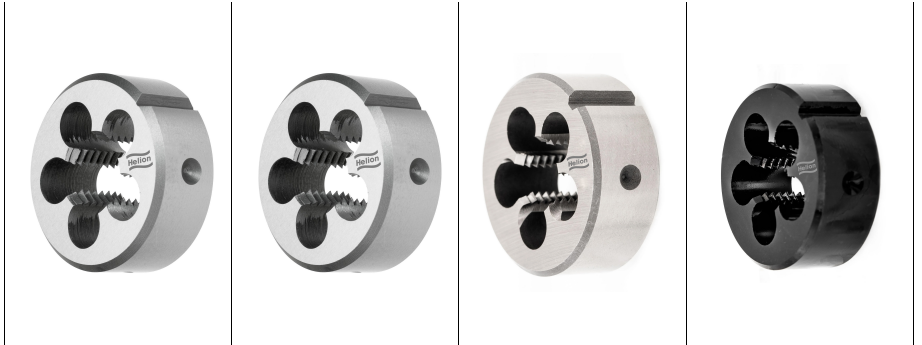
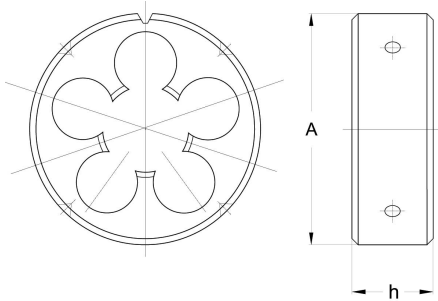
For other die types, please contact us by email

ROUND DIES



Metric ISO-Thread acc. to DIN 13
DIN EN 22568

1001			1011			1501			1531		
UNI			UNI			UNI			VA		
6g	↻	HSS	6g	↻	HSS	6g	↻	HSS	6g	↻	HSSE
	Oil	bright		Oil	bright		Oil	bright		Oil	NIT
1,5 - 2 x P	Form B		1,5 - 2 x P	Form B		1,5 - 2 x P	Form B		2 x P	Form B	



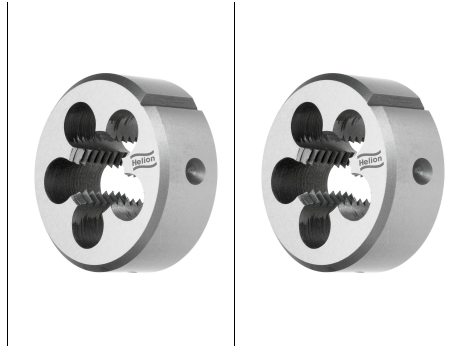
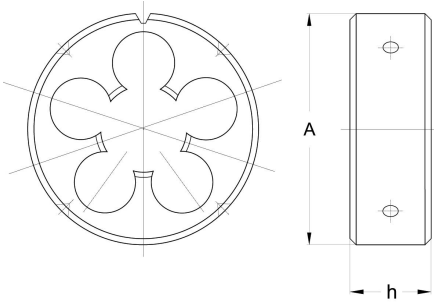
A mm	h mm	牙形	D mm	P mm	CODE	EUR	CODE	EUR	CODE	EUR	CODE	EUR
16	5	0,96	M 1	0,25	3710010001	●						
16	5	1,05	M 1,1	0,25	3710010003	●						
16	5	1,15	M 1,2	0,25	3710010005	●						
16	5	1,36	M 1,4	0,30	3710010007	●						
16	5	1,55	M 1,6	0,35	3710010009	●						
16	5	1,64	M 1,7	0,35	3710010011	●						
16	5	1,75	M 1,8	0,35	3710010013	●						
16	5	1,94	M 2	0,40	3710010015	●			3715010093	●		
16	5	2,13	M 2,2	0,45	3710010017	●			3715010095	●		
16	5	2,25	M 2,3	0,40	3710010019	●			3715010097	●		
16	5	2,43	M 2,5	0,45	3710010021	●			3715010099	●		
20	5	2,92	M 3	0,50	3710010023	●	3710110209	●	3715010101	●	3715310179	●
20	5	3,41	M 3,5	0,60					3715010103	●	3715310181	●
20	5	3,91	M 4	0,70	3710010025	●	3710110211	●	3715010105	●	3715310183	●
20	7	4,90	M 5	0,80	3710010027	●	3710110213	●	3715010107	●	3715310185	●
20	7	5,88	M 6	1,00	3710010029	●	3710110215	●	3715010109	●	3715310187	●
25	9	6,88	M 7	1,00					3715010111	●	3715310189	●
25	9	7,87	M 8	1,25	3710010031	●	3710110217	●	3715010113	●	3715310191	●
25	9	8,87	M 9	1,25					3715010115	●		
30	11	9,85	M 10	1,50	3710010033	●	3710110219	●	3715010117	●	3715310193	●
30	11	10,85	M 11	1,50					3715010119	●		
38	14	11,83	M 12	1,75	3710010035	●	3710110221	●	3715010121	●	3715310195	●
38	14	13,82	M 14	2,00	3710010037	●	3710110223	●	3715010123	●	3715310197	●
45	18	15,82	M 16	2,00	3710010039	●	3710110225	●	3715010125	●	3715310199	●
45	18	17,79	M 18	2,50	3710010041	●	3710110227	●	3715010127	●	3715310201	●
45	18	19,79	M 20	2,50	3710010043	●	3710110229	●	3715010129	●	3715310203	●
55	22	21,79	M 22	2,50	3710010045	●	3710110231	●	3715010131	●	3715310205	●
55	22	23,77	M 24	3,00	3710010047	●	3710110233	●	3715010133	●	3715310207	●
65	25	26,77	M 27	3,00	3710010049	●	3710110235	●	3715010135	●		
65	25	29,73	M 30	3,50	3710010051	●	3710110237	●	3715010137	●		
65	25	32,73	M 33	3,50	3710010053	●	3710110239	●	3715010139	●		
65	25	35,70	M 36	4,00	3710010055	●	3710110241	●	3715010141	●		
75	30	38,70	M 39	4,00	3710010057	●			3715010143	●		
75	30	41,69	M 42	4,50	3710010059	●			3715010145	●		
90	36	44,69	M 45	4,50	3710010061	●			3715010147	●		
90	36	47,66	M 48	5,00	3710010063	●			3715010149	●		
90	36	51,66	M 52	5,00	3710010065	●			3715010151	●		

ROUND DIES



Metric ISO-Thread acc. to DIN 13
DIN EN 22568

1001			1061		
UNI			UNI		
6g		HSS	6g		HSS
	Oil	bright		Oil	bright
1,5 - 2 x P	Form B		1,5 - 2 x P	Form B	



A mm	h mm	γ_{fl}	D mm	P mm	CODE	EUR	CODE	EUR
105	36	55,65	M 56	5,50	3710010067	●		
105	36	59,65	M 60	5,50	3710010069	●		
120	36	63,62	M 64	6,00	3710010071	●		
120	36	67,62	M 68	6,00	3710010073	●		
120	36	71,62	M 72	6,00	3710010075	●		
120	36	75,62	M 76	6,00	3710010077	●		
120	36	79,62	M 80	6,00	3710010079	●		
130	36	83,62	M 84	6,00	3710010081	●		
140	36	87,62	M 88	6,00	3710010083	●		
140	36	89,62	M 90	6,00	3710010085	●		
140	36	91,62	M 92	6,00	3710010087	●		
140	36	95,62	M 96	6,00	3710010089	●		
150	36	99,62	M 100	6,00	3710010091	●		

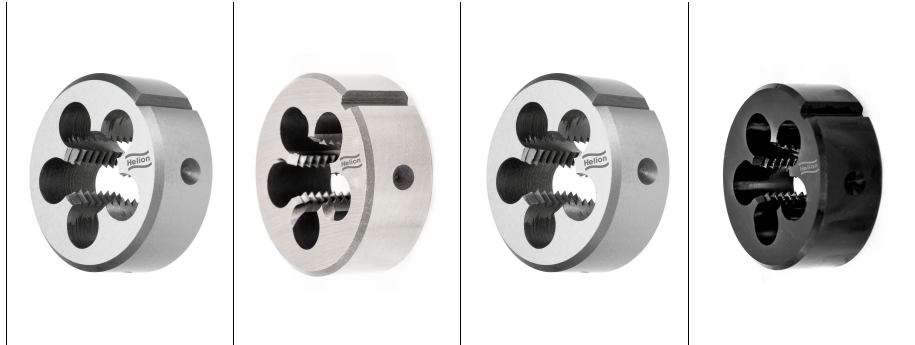
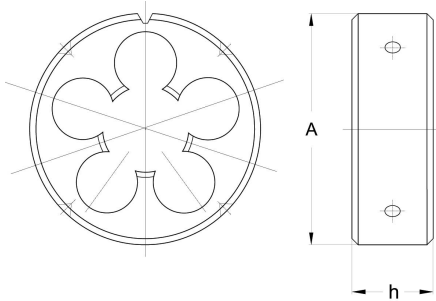
20	5	2,92	M 3	0,50			3710610153	●
20	5	3,41	M 3,5	0,60			3710610155	●
20	5	3,91	M 4	0,70			3710610157	●
20	7	4,90	M 5	0,80			3710610159	●
20	7	5,88	M 6	1,00			3710610161	●
25	9	6,88	M 7	1,00			3710610163	●
25	9	7,87	M 8	1,25			3710610165	●
30	11	9,85	M 10	1,50			3710610167	●
38	14	11,83	M 12	1,75			3710610169	●
45	18	15,82	M 16	2,00			3710610173	●

ROUND DIES



Metric ISO-Thread acc. to DIN 13
DIN EN 22568

1002			1502			1512			1532		
			UNI			UNI			VA		
6g		HSS	6g		HSS	6g		HSS	6g		HSSE
	Oil	bright		Oil	bright		Oil	bright		Oil	NIT
$1.5 - 2 \times D$	Form B		$1.5 - 2 \times D$	Form B		$1.5 - 2 \times D$	Form B		$1.5 - 2 \times D$	Form B	



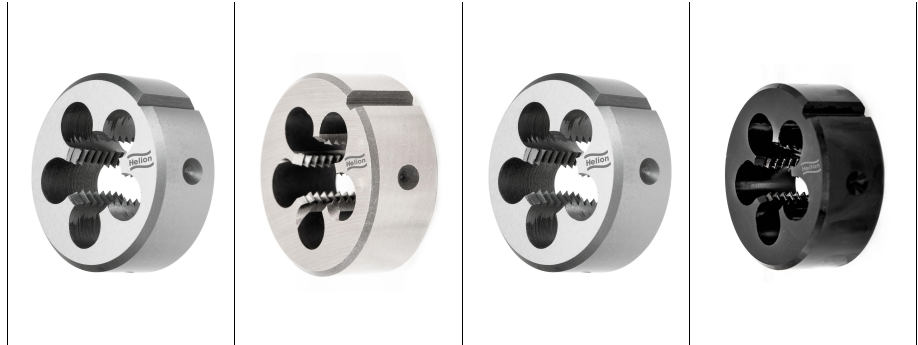
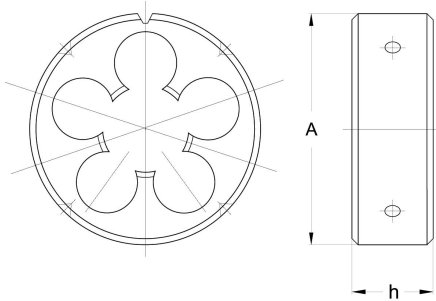
A mm	h mm	γ	D mm	P mm	CODE	EUR	CODE	EUR	CODE	EUR	CODE	EUR
20	5	2,94	M 3	0,35	3710020243	●	3715020391	●				
20	5	3,93	M 4	0,50	3710020245	●	3715020393	●	3715120591	●	3715320539	●
20	5	4,93	M 5	0,50	3710020247	●	3715020395	●	3715120593	●	3715320541	●
20	5	5,93	M 6	0,50	3710020249	●	3715020397	●	3715120595	●	3715320543	●
20	7	5,91	M 6	0,75	3710020251	●	3715020399	●	3715120597	●	3715320545	●
25	9	7,93	M 8	0,50	3710020253	●	3715020401	●	3715120599	●	3715320547	●
25	9	7,91	M 8	0,75	3710020255	●	3715020403	●	3715120601	●	3715320549	●
25	9	7,88	M 8	1,00	3710020257	●	3715020405	●	3715120603	●	3715320551	●
25	9	8,88	M 9	1,00	3710020259	●	3715020407	●			3715320553	●
30	11	9,93	M 10	0,50	3710020261	●	3715020409	●			3715320555	●
30	11	9,91	M 10	0,75	3710020263	●	3715020411	●	3715120605	●	3715320557	●
30	11	9,88	M 10	1,00	3710020265	●	3715020413	●	3715120607	●	3715320559	●
30	11	9,87	M 10	1,25	3710020267	●	3715020415	●	3715120609	●	3715320561	●
30	11	10,88	M 11	1,00	3710020269	●	3715020417	●			3715320563	●
30	11	10,87	M 11	1,25	3710020271	●	3715020419	●			3715320565	●
38	10	11,88	M 12	1,00	3710020273	●	3715020421	●	3715120611	●	3715320567	●
38	10	11,87	M 12	1,25	3710020275	●	3715020423	●	3715120613	●	3715320569	●
38	10	11,85	M 12	1,50	3710020277	●	3715020425	●	3715120615	●	3715320571	●
38	10	12,88	M 13	1,00	3710020279	●	3715020427	●				
38	10	13,91	M 14	0,75	3710020281	●	3715020429	●				
38	10	13,88	M 14	1,00	3710020283	●	3715020431	●	3715120617	●	3715320573	●
38	10	13,87	M 14	1,25	3710020285	●	3715020433	●	3715120619	●	3715320575	●
38	10	13,85	M 14	1,50	3710020287	●	3715020435	●	3715120621	●	3715320577	●
38	10	14,88	M 15	1,00	3710020289	●	3715020437	●				
38	10	14,85	M 15	1,50	3710020291	●	3715020439	●				
45	14	15,90	M 16	1,00	3710020293	●	3715020441	●				
45	14	15,90	M 16	1,25	3710020295	●	3715020443	●				
45	14	15,82	M 16	1,50	3710020297	●	3715020445	●	3715120623	●	3715320579	●
45	14	17,88	M 18	1,00	3710020299	●	3715020447	●				
45	14	17,85	M 18	1,50	3710020301	●	3715020449	●	3715120625	●	3715320581	●
45	14	17,82	M 18	2,00	3710020303	●	3715020451	●				
45	14	19,88	M 20	1,00	3710020305	●	3715020453	●				
45	14	19,85	M 20	1,50	3710020307	●	3715020455	●	3715120627	●	3715320583	●
45	14	19,82	M 20	2,00	3710020309	●	3715020457	●	3715120629	●	3715320585	●
55	16	21,88	M 22	1,00	3710020311	●	3715020459	●				
55	16	21,85	M 22	1,50	3710020313	●	3715020461	●	3715120631	●	3715320587	●
55	16	21,82	M 22	2,00	3710020315	●	3715020463	●				

ROUND DIES



Metric ISO-Thread acc. to DIN 13
DIN EN 22568

1002			1502			1512			1532		
			UNI			UNI			VA		
6g		HSS	6g		HSS	6g		HSS	6g		HSSE
	Oil	bright		Oil	bright		Oil	bright		Oil	NIT
	1,5 - 2 x D	Form B		1,5 - 2 x D			1,5 - 2 x D	Form B		1,5 - 2 x D	



A mm	h mm	牙形	D mm	P mm	CODE	EUR	CODE	EUR	CODE	EUR	CODE	EUR
55	16	23,88	M 24	1,00	3710020317	●	3715020465	●				
55	16	23,85	M 24	1,50	3710020319	●	3715020467	●	3715120633	●	3715320589	●
55	16	23,82	M 24	2,00	3710020321	●	3715020469	●				
55	16	24,85	M 25	1,50	3710020323	●	3715020471	●	3715120635	●		
55	16	25,85	M 26	1,50	3710020325	●	3715020473	●	3715120637	●		
55	16	25,82	M 26	2,00	3710020327	●	3715020475	●				
65	18	26,85	M 27	1,50	3710020329	●	3715020477	●	3715120639	●		
65	18	26,82	M 27	2,00	3710020331	●	3715020479	●	3715120641	●		
65	18	27,88	M 28	1,00	3710020333	●	3715020481	●				
65	18	27,85	M 28	1,50	3710020335	●	3715020483	●	3715120643	●		
65	18	29,88	M 30	1,00	3710020337	●	3715020485	●				
65	18	29,85	M 30	1,50	3710020339	●	3715020487	●	3715120645	●		
65	18	29,82	M 30	2,00	3710020341	●	3715020489	●	3715120647	●		
65	25	29,76	M 30	3,00	3710020343	●	3715020491	●				
65	18	31,85	M 32	1,50	3710020345	●	3715020493	●	3715120649	●		
65	18	31,82	M 32	2,00	3710020347	●	3715020495	●				
65	18	32,85	M 33	1,50	3710020349	●	3715020497	●				
65	18	32,82	M 33	2,00	3710020351	●	3715020499	●				
65	18	33,85	M 34	1,50	3710020353	●	3715020501	●				
65	18	34,85	M 35	1,50	3710020355	●	3715020503	●	3715120651	●		
65	18	35,85	M 36	1,50	3710020357	●	3715020505	●	3715120653	●		
65	18	35,82	M 36	2,00	3710020359	●	3715020507	●				
65	25	35,76	M 36	3,00	3710020361	●	3715020509	●				
75	20	37,85	M 38	1,50	3710020363	●	3715020511	●	3715120655	●		
75	20	38,85	M 39	1,50	3710020365	●	3715020513	●				
75	20	38,82	M 39	2,00	3710020367	●	3715020515	●				
75	20	39,85	M 40	1,50	3710020369	●	3715020517	●	3715120657	●		
75	20	41,85	M 42	1,50	3710020371	●	3715020519	●	3715120659	●		
75	20	41,82	M 42	2,00	3710020373	●	3715020521	●				
75	20	41,76	M 42	3,00	3710020375	●	3715020523	●				
90	22	44,85	M 45	1,50	3710020377	●	3715020525	●	3715120661	●		
90	22	44,82	M 45	2,00	3710020379	●	3715020527	●				
90	22	44,76	M 45	3,00	3710020381	●	3715020529	●				
90	22	47,85	M 48	1,50	3710020383	●	3715020531	●	3715120663	●		
90	22	49,85	M 50	1,50	3710020385	●	3715020533	●				
90	22	49,82	M 50	2,00	3710020387	●	3715020535	●				
90	22	51,85	M 52	1,50	3710020389	●	3715020537	●				

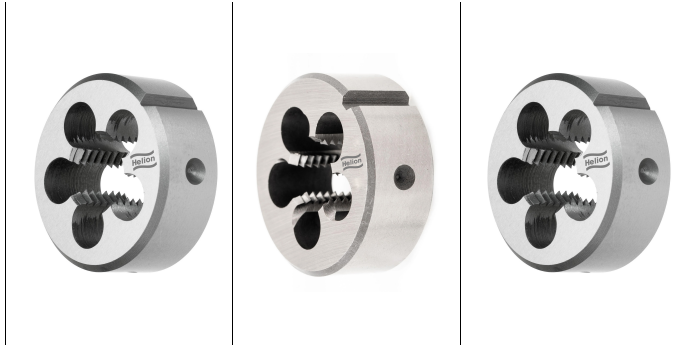
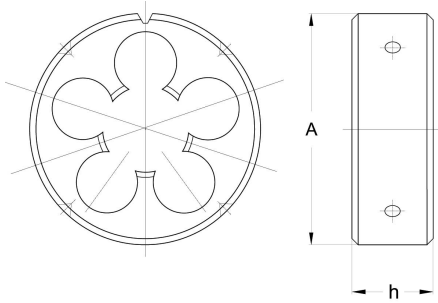


ROUND DIES



Withworth-Thread acc. to DIN 11 (BSW)
EN 22568

1003			1503			1013		
			UNI			UNI		
		HSS			HSS			HSS
	Oil	bright		Oil	bright		Oil	bright
	1,5 - 2 x P	Form B		1,5 - 2 x P	Form B		1,5 - 2 x P	Form B



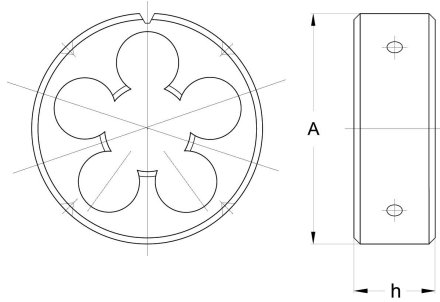
A mm	h mm	W	D	P	CODE	EUR	CODE	EUR	CODE	EUR
16	5	1,55	W 1/16"	60,00	3710030981	●				
16	5	2,3	W 3/32"	48,00	3710030983	●	3715031029	●		
20	5	3,09	W 1/8"	40,00	3710030985	●	3715031031	●	3710131059	●
20	5	3,88	W 5/32"	32,00	3710030987	●	3715031033	●	3710131061	●
20	7	4,16	W 3/16"	24,00	3710030989	●	3715031035	●	3710131063	●
20	7	5,43	W 7/32"	24,00	3710030991	●	3715031037	●		
20	7	6,17	W 1/4"	20,00	3710030993	●	3715031039	●	3710131065	●
25	9	7,76	W 5/16"	18,00	3710030995	●	3715031041	●	3710131067	●
30	11	9,30	W 3/8"	16,00	3710030997	●	3715031043	●	3710131069	●
30	11	10,90	W 7/16"	14,00	3710030999	●	3715031045	●	3710131071	●
38	14	12,44	W 1/2"	12,00	3710031001	●	3715031047	●	3710131073	●
38	14	14,02	W 9/16"	12,00	3710031003	●	3715031049	●	3710131075	●
45	18	15,62	W 5/8"	11,00	3710031005	●	3715031051	●	3710131077	●
45	18	18,76	W 3/4"	10,00	3710031007	●	3715031053	●	3710131079	●
55	22	21,90	W 7/8"	9,00	3710031009	●	3715031055	●	3710131081	●
55	22	25,08	W 1"	8,00	3710031011	●	3715031057	●	3710131083	●
65	25	28,11	W 1 1/8"	7,00	3710031013	●				
65	25	31,35	W 1 1/4"	7,00	3710031015	●				
65	25	34,49	W 1 3/8"	6,00	3710031017	●				
75	30	37,67	W 1 1/2"	6,00	3710031019	●				
75	30	41,11	W 1 5/8"	5,00	3710031021	●				
90	36	44,28	W 1 3/4"	5,00	3710031023	●				
90	36	47,30	W 1 7/8"	4,50	3710031025	●				
90	36	50,62	W 2"	4,50	3710031027	●				



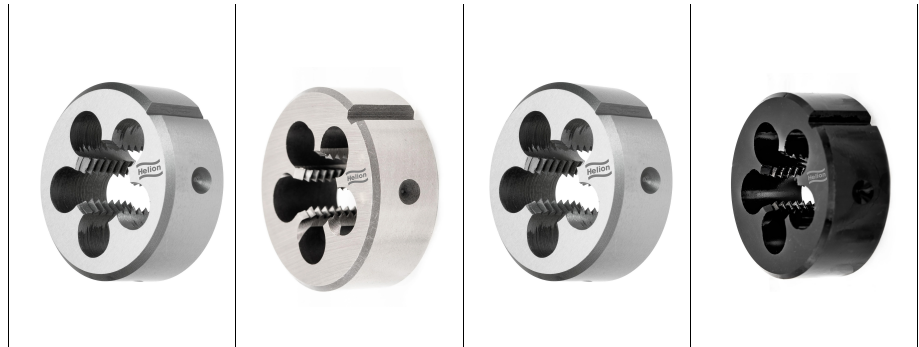
ROUND DIES



Withworth-Pipe-Thread acc. to DIN ISO 228 (BSP)
EN 24231



1004			1504			1014			1534		
			UNI			UNI			VA		
		HSS			HSS			HSS			HSSE
	Oil	bright		Oil	bright		Oil	bright		Oil	NIT
	1.5 - 2 x P	Form B		1.5 - 2 x P	Form B		1.5 - 2 x P	Form B		1.5 - 2 x P	



A mm	h mm	∠	D	P	CODE	EUR	CODE	EUR	CODE	EUR	CODE	EUR
25	9	7,62	G 1/16"	28	3710041321	●						
30	11	9,62	G 1/8"	28	3710041323	●	3715041293	●	3710141375	●	3715341363	●
38	10	13,03	G 1/4"	19	3710041325	●	3715041295	●	3710141377	●	3715341365	●
45	14	16,54	G 3/8"	19	3710041327	●	3715041297	●	3710141379	●	3715341367	●
45	14	20,81	G 1/2"	14	3710041329	●	3715041299	●	3710141381	●	3715341369	●
55	16	22,77	G 5/8"	14	3710041331	●	3715041301	●	3710141383	●		
55	16	26,30	G 3/4"	14	3710041333	●	3715041303	●	3710141385	●	3715341371	●
65	18	30,06	G 7/8"	14	3710041335	●	3715041305	●	3710141387	●		
65	18	33,07	G 1"	11	3710041337	●	3715041307	●	3710141389	●	3715341373	●
75	20	37,72	G 1 1/8"	11	3710041339	●	3715041309	●	3710141391	●		
75	20	41,73	G 1 1/4"	11	3710041341	●	3715041311	●	3710141393	●		
90	22	44,14	G 1 3/8"	11	3710041343	●	3715041313	●	3710141395	●		
90	22	47,62	G 1 1/2"	11	3710041345	●	3715041315	●	3710141397	●		
105	22	53,57	G 1 3/4"	11	3710041347	●	3715041317	●	3710141399	●		
105	22	59,43	G 2"	11	3710041349	●	3715041319	●	3710141401	●		
120	22	65,49	G 2 1/4"	11	3710041351	●						
120	22	74,97	G 2 1/2"	11	3710041353	●						
120	22	81,32	G 2 3/4"	11	3710041355	●						
150	25	87,67	G 3"	11	3710041357	●						
150	25	100,11	G 3 1/2"	11	3710041359	●						
180	25	112,81	G 4"	11	3710041361	●						

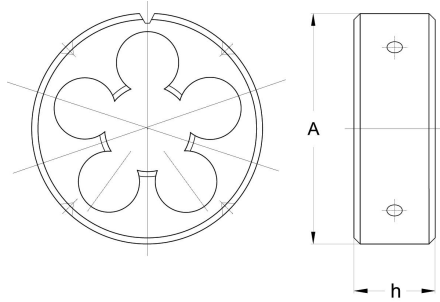


ROUND DIES

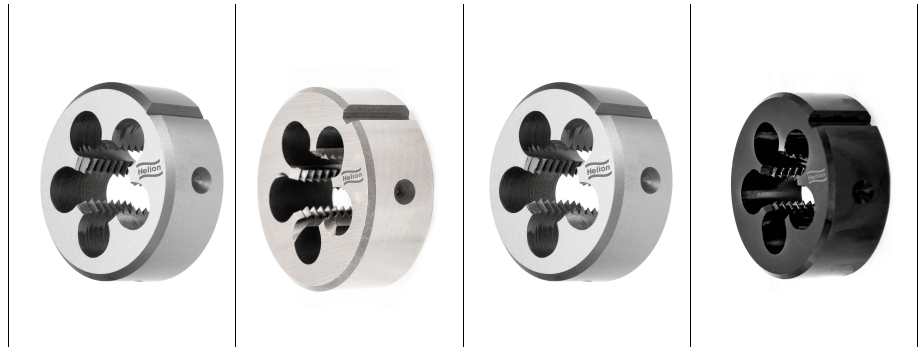


American Unified-National-Coarse-Thread acc. to ANSI B1.1

EN 22568



1005			1505			1015			1535		
			UNI			UNI			VA		
2A	↻	HSS	2A	↻	HSS	2A	↻	HSS	2A	↻	HSSE
	Oil	bright		Oil	bright		Oil	bright		Oil	NIT
1,5 - 2 x P	Form B		1,5 - 2 x P	Form B		1,5 - 2 x P	Form B		1,5 - 2 x P	Form B	



A mm	h mm	牙形	D	P	CODE	EUR	CODE	EUR	CODE	EUR	CODE	EUR
16	5	1,79	UNC Nr. 1	64	3710050665	●						
16	5	2,12	UNC Nr. 2	56	3710050667	●						
16	5	2,44	UNC Nr. 3	48	3710050669	●						
20	5	2,76	UNC Nr. 4	40	3710050671	●	3715050715	●			3715350759	●
20	5	3,09	UNC Nr. 5	40	3710050673	●	3715050717	●				
20	7	3,41	UNC Nr. 6	32	3710050675	●	3715050719	●			3715350763	●
20	7	4,07	UNC Nr. 8	32	3710050677	●	3715050721	●			3715350765	●
20	7	4,71	UNC Nr. 10	24	3710050679	●	3715050723	●				
20	7	5,40	UNC Nr. 12	24	3710050681	●	3715050725	●				
20	7	6,22	UNC 1/4"	20	3710050683	●	3715050727	●	3710150777	●	3715350771	●
25	9	7,80	UNC 5/16"	18	3710050685	●	3715050729	●	3710150779	●	3715350773	●
30	11	9,37	UNC 3/8"	16	3710050687	●	3715050731	●	3710150781	●	3715350775	●
30	11	10,95	UNC 7/16"	14	3710050689	●	3715050733	●	3710150783	●		
38	14	12,52	UNC 1/2"	13	3710050691	●	3715050735	●	3710150785	●		
38	14	14,10	UNC 9/16"	12	3710050693	●	3715050737	●	3710150787	●		
45	18	15,68	UNC 5/8"	11	3710050695	●	3715050739	●	3710150789	●		
45	18	18,84	UNC 3/4"	10	3710050697	●	3715050741	●	3710150791	●		
55	22	22,08	UNC 7/8"	9	3710050699	●	3715050743	●	3710150793	●		
55	22	25,16	UNC 1"	8	3710050701	●	3715050745	●	3710150795	●		
65	25	28,31	UNC 1 1/8"	7	3710050703	●	3715050747	●				
65	25	31,49	UNC 1 1/4"	7	3710050705	●	3715050749	●				
65	25	34,63	UNC 1 3/8"	6	3710050707	●	3715050751	●				
75	30	37,81	UNC 1 1/2"	6	3710050709	●	3715050753	●				
90	36	44,12	UNC 1 3/4"	5	3710050711	●	3715050755	●				
90	36	50,45	UNC 2"	4,5	3710050713	●	3715050757	●				

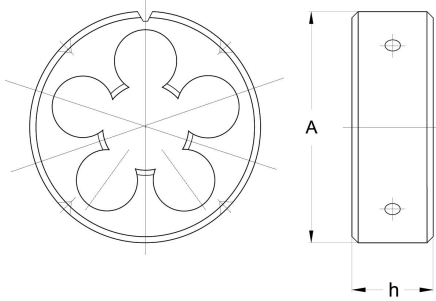


ROUND DIES

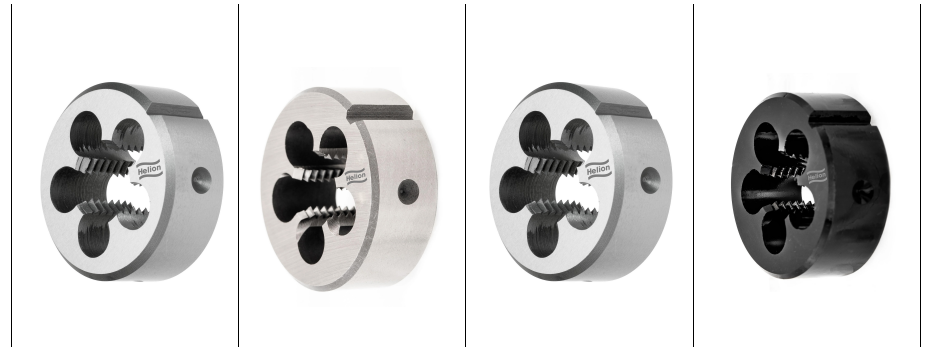


American Unified-National-Fine-Thread acc. to ANSI B1.1

EN 22568



1006			1506			1016			1536		
			UNI			UNI			VA		
2A	↻	HSS	2A	↻	HSS	2A	↻	HSS	2A	↻	HSSE
	Oil	bright		Oil	bright		Oil	bright		Oil	NIT
1,5 - 2 x P	Form B		1,5 - 2 x P	Form B		1,5 - 2 x P	Form B		1,5 - 2 x P	Form B	



A mm	h mm	牙数	D	P	CODE	EUR	CODE	EUR	CODE	EUR	CODE	EUR
16	5	1,47	UNF Nr. 0	80	3710060797	●						
16	5	1,79	UNF Nr. 1	72	3710060799	●						
16	5	2,12	UNF Nr. 2	64	3710060801	●						
16	5	2,44	UNF Nr. 3	56	3710060803	●						
20	5	2,77	UNF Nr. 4	48	3710060805	●	3715060845	●				
20	5	3,10	UNF Nr. 5	44	3710060807	●	3715060847	●				
20	5	3,42	UNF Nr. 6	40	3710060809	●	3715060849	●				
20	7	4,08	UNF Nr. 8	36	3710060811	●	3715060851	●				
20	7	4,73	UNF Nr. 10	32	3710060813	●	3715060853	●	3710160897	●	3715360885	●
20	7	5,38	UNF Nr. 12	28	3710060815	●	3715060855	●				
20	7	6,24	UNF 1/4"	28	3710060817	●	3715060857	●	3710160899	●	3715360889	●
25	9	7,82	UNF 5/16"	24	3710060819	●	3715060859	●	3710160901	●	3715360891	●
30	11	9,41	UNF 3/8"	24	3710060821	●	3715060861	●	3710160903	●	3715360893	●
30	11	10,98	UNF 7/16"	20	3710060823	●	3715060863	●	3710160905	●	3715360895	●
38	10	12,56	UNF 1/2"	20	3710060825	●	3715060865	●	3710160907	●		
38	10	14,14	UNF 9/16"	18	3710060827	●	3715060867	●	3710160909	●		
45	14	15,73	UNF 5/8"	18	3710060829	●	3715060869	●	3710160911	●		
45	14	18,89	UNF 3/4"	16	3710060831	●	3715060871	●	3710160913	●		
55	16	22,05	UNF 7/8"	14	3710060833	●	3715060873	●	3710160915	●		
55	16	25,21	UNF 1"	12	3710060835	●	3715060875	●	3710160917	●		
65	18	28,38	UNF 1 1/8"	12	3710060837	●	3715060877	●				
65	18	31,56	UNF 1 1/4"	12	3710060839	●	3715060879	●				
65	18	34,73	UNF 1 3/8"	12	3710060841	●	3715060881	●				
75	20	37,91	UNF 1 1/2"	12	3710060843	●	3715060883	●				



ROUND DIES

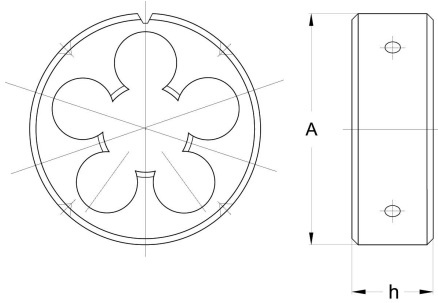
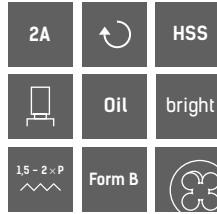
15061

UNI



American Unified-National-Extra-Fine-Thread acc. to ANSI B1.1

EN 22568



A mm	h mm	ϕ _h	D	P	CODE	EUR
20	7	5,41	UNEf Nr. 12	32	37150610939	●
20	7	6,27	UNEf 1/4"	32	37150610941	●
25	9	7,86	UNEf 5/16"	32	37150610943	●
30	11	9,45	UNEf 3/8"	32	37150610945	●
30	11	11,00	UNEf 7/16"	28	37150610947	●
38	10	12,60	UNEf 1/2"	28	37150610949	●
38	10	14,20	UNEf 9/16"	24	37150610951	●
45	14	15,80	UNEf 5/8"	24	37150610953	●
45	14	17,40	UNEf 11/16"	24	37150610955	●
45	14	18,90	UNEf 3/4"	20	37150610957	●
45	14	20,50	UNEf 13/16"	20	37150610959	●
55	16	22,10	UNEf 7/8"	20	37150610961	●
55	16	25,30	UNEf 1"	20	37150610963	●
65	18	26,80	UNEf 1 1/16"	18	37150610965	●
65	18	28,40	UNEf 1 1/8"	18	37150610967	●
65	18	30,00	UNEf 1 3/16"	18	37150610969	●
65	18	31,60	UNEf 1 1/4"	18	37150610971	●
65	18	33,20	UNEf 1 5/16"	18	37150610973	●
65	18	34,80	UNEf 1 3/8"	18	37150610975	●
75	20	36,40	UNEf 1 7/16"	18	37150610977	●
75	20	37,90	UNEf 1 1/2"	18	37150610979	●



ROUND DIES

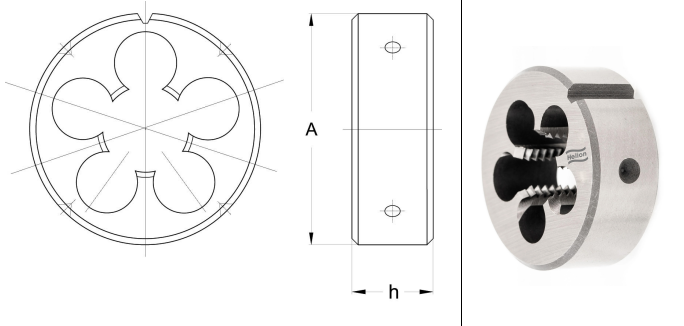
10071

UNI



American Unified-National-Thread
acc. to ANSI B1.1
EN 22568

2A	↻	HSS
	Oil	bright
1,5 - 2 x P	Form B	



A mm	h mm	φ _h	D	P	CODE	EUR
20	7	6,24	UNS 1/4"	24	37100710919	●
20	5	6,26	UNS 1/4"	36	37100710921	●
20	5	6,27	UNS 1/4"	40	37100710923	●
30	11	11,00	UNS 7/16"	24	37100710927	●
38	10	12,59	UNS 1/2"	24	37100710929	●
45	14	15,76	UNS 5/8"	27	37100710931	●
55	16	22,08	UNS 7/8"	18	37100710935	●
55	16	25,23	UNS 1"	14	37100710937	●



ROUND DIES

15031

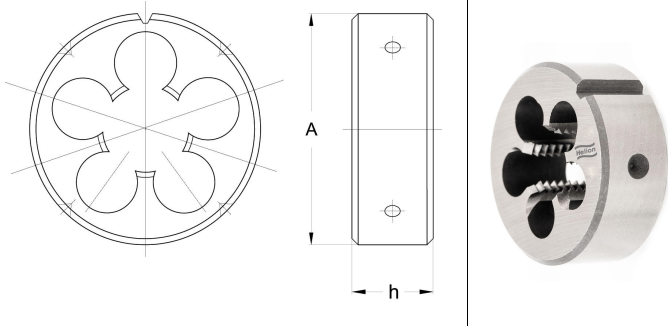
UNI



American Unified-National-Thread
acc. to ANSI B1.1

EN 22568

2A		HSS
	Oil	bright
1,5 - 2 x P	Form B	



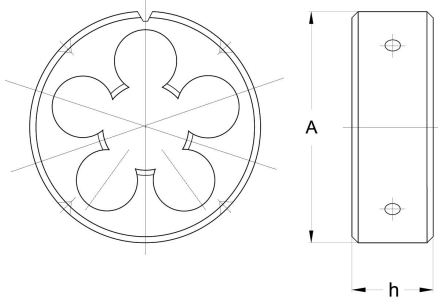
A mm	h mm	牙数	D	P	CODE	EUR
65	25	28,34	UN 1 1/8"	8	37150311223	●
65	25	31,51	UN 1 1/4"	8	37150311225	●
65	25	34,69	UN 1 3/8"	8	37150311227	●
75	20	37,86	UN 1 1/2"	8	37150311229	●
75	20	41,03	UN 1 5/8"	8	37150311231	●
90	22	44,21	UN 1 3/4"	8	37150311233	●
90	22	47,38	UN 1 7/8"	8	37150311235	●
90	22	50,55	UN 2"	8	37150311237	●



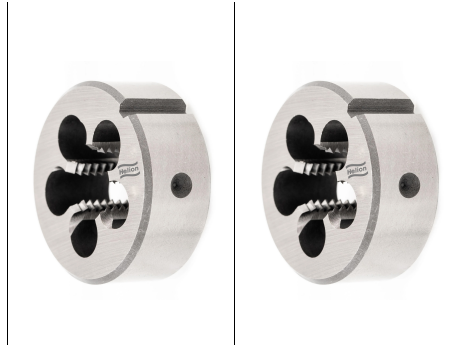
ROUND DIES



American Standard-Taper-Pipe-Thread,
taper 1:16 acc. to ANSI B1.20.1/3
EN 22568 /



1508			15081		
UNI			UNI		
		HSS			HSS
	Oil	bright		Oil	bright
	1,5 - 2 x P			1,5 - 2 x P	



A mm	h mm	°	D	P	CODE	EUR	CODE	EUR
25	9	7,64	NPT 1/16"	27,00	3715081105	●		
30	11	9,99	NPT 1/8"	27,00	3715081107	●		
38	14	13,26	NPT 1/4"	18,00	3715081109	●		
45	18	16,67	NPT 3/8"	18,00	3715081111	●		
45	18	20,71	NPT 1/2"	14,00	3715081113	●		
55	22	26,03	NPT 3/4"	14,00	3715081115	●		
65	25	32,59	NPT 1"	11,50	3715081117	●		
75	26	41,32	NPT 1 1/4"	11,50	3715081119	●		
90	27	47,39	NPT 1 1/2"	11,50	3715081121	●		
105	28	59,42	NPT 2"	11,50	3715081123	●		
25	9	7,62	NPTF 1/16"	27,00			3715081125	●
30	11	9,96	NPTF 1/8"	27,00			3715081127	●
38	14	13,21	NPTF 1/4"	18,00			3715081129	●
45	18	16,63	NPTF 3/8"	18,00			3715081131	●
45	18	20,70	NPTF 1/2"	14,00			3715081133	●
55	22	26,02	NPTF 3/4"	14,00			3715081135	●
65	25	32,56	NPTF 1"	11,50			3715081137	●



ROUND DIES

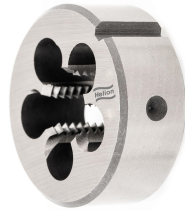
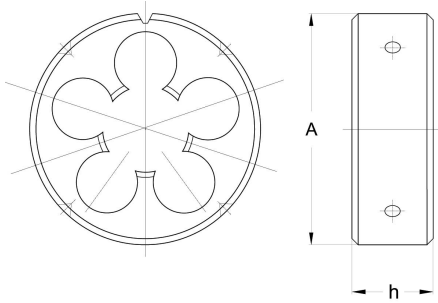
1507

UNI



Steel Conduit Thread acc. to DIN 40430
EN 22568

	↻	HSS
🏠	Oil	bright
1.5 - 2 x P	Form B	🌀



A mm	h mm	φ ₁	D	P	CODE	EUR
38	10	12,40	PG 7	20	3715071085	●
38	10	15,10	PG 9	18	3715071087	●
45	14	18,50	PG 11	18	3715071089	●
45	14	20,30	PG 13,5	18	3715071091	●
55	16	22,40	PG 16	18	3715071093	●
65	18	28,10	PG 21	16	3715071095	●
65	18	36,90	PG 29	16	3715071097	●
90	22	46,90	PG 36	16	3715071099	●
90	22	53,90	PG 42	16	3715071101	●
105	22	59,20	PG 48	16	3715071103	●



SALES TERMS

Condiciones de venta

Payment · Pago

Payment shall be made in accordance with terms and conditions notified to the buyer. In case of non-payment / outstanding payment on the agreed date, we will apply the legal delay interest. *El pago se efectuará de conformidad con los términos y condiciones notificadas al comprador. En caso de impago en la fecha acordada, se devengará el interés legal de demora.*

Transfer of property · Reserva de dominio

The property of the goods does not pass to the buyer until it has been fully paid. The Company reserves the right to repossess any goods in which payment is overdue and the buyer shall cooperate in the event of the Company notifying its intentions of repossess the goods. *La propiedad de los bienes no se transmitirá al comprador hasta que se haga efectivo por completo su pago. La Empresa se reserva el derecho de tomar posesión de los bienes respecto de los cuales exista mora en el pago.*

Transport · Transporte

Will be paid by the buyer. *Será a cargo del comprador.*

Return Policy · Política de devolución

The customer will get 5 days from the reception of the goods to inform to HELION TOOLS about any claim of the goods supplied. Passed that period the goods will be considered as accepted by the customer. *El cliente dispondrá de un plazo de 5 días a partir de la recepción del producto para enviar a HELION TOOLS cualquier reclamación en relación con el producto suministrado. Después de ese plazo los productos serán considerados como conformes por el cliente.*

The claim must be done through: · *La reclamación deberá realizarse a través de:*

Logistics Division · Departamento de logística

logistics@helion-tools.com +34 93 877 08 69

Comercial Division · Departamento comercial

ventas@helion-tools.com · +34 93 877 08 69

Export Division · Departamento exportación

export@helion-tools.com +34 93 877 08 69

HELION TOOLS is not responsible and reserves the rights to refuse returns if the goods are in bad conditions due to improper use or transport damages. *Helion Tools no se hace responsable y se reserva el derecho de rechazar posibles devoluciones en caso de mercancía en mal estado por uso indebido o daños de transporte.*

*** Material will only be accepted in the following case:** · *Solo se aceptará devolución de material en los siguientes casos:*

a) The return of non-defective goods, as a rule, will not be accepted. However, in special situations and as an exception, the return will be accepted with previous conformity of HELION TOOLS and always with prior check of the goods. In these cases, there will be a surcharge of 15% applied of the value of the goods as management and administration expenses.

The transportation costs will be at the customer's expense. *La devolución de mercancía no defectuosa como norma no se acepta. Aun así, en casos especiales y como excepción se acepta la devolución, pero siempre con la previa aprobación de HT, y la posterior confirmación una vez recibida la mercancía de que reúne los requisitos exigidos. En estos casos de devolución se aplicará un recargo por gastos de gestión y administración del 15% del valor de la mercancía. Los gastos de transporte irán a cargo del comprador.*

b) Defective material at the moment of reception of goods: If the material is defective from origin, it must be informed to Helion Tools and once a return number is assigned, it will be dispatched to HELION TOOLS with its original packaging. No returns will be accepted without the comply of these specifications: original packaging and unused material. *Material defectuoso al momento de la recepción de este: Si el material está defectuoso de origen, se deberá realizar la comunicación a HT, y una vez asignado el nº de devolución, el producto será enviado a HT con su embalaje original. No se aceptarán devoluciones que no cumplan estos requisitos: embalaje original y sin usar.*

*** All the returns must go together with the invoice or delivery note.** *Toda devolución debe ir acompañada de la factura o albarán de compra.*

Delivery · Entrega

Once the purchase order is received we proceed with the production process to supply the order in the shortest time possible. Then we will not accept cancellations or modifications in purchase orders of special tools manufactured according with the specifications of the customer. *Una vez recibido un pedido, procedemos a la ejecución de este en el plazo más breve posible y a partir de ese momento no se aceptarán cancelaciones ni modificaciones de un pedido que contenga herramientas especiales o fabricadas por petición del cliente.*

Warranty · Garantía

The warranty of all our products will be established by HELION TOOLS. There is no warranty for products manipulated or modified. The responsibility of HELION TOOLS is limited just to the cost amount of the product and is not liable of neither damages and their consequences, nor losses due to lost profit of the buyer. *La garantía de todos nuestros productos será la establecida por HT. No existe garantía de los productos que hayan sido manipulados o modificados. La responsabilidad de HT queda en todo caso limitada al importe del producto y no se hace responsable de daños y sus consecuencias, ni de pérdidas por lucro cesante del comprador.*

Jurisdiction · Jurisdicción

In case of dispute the Customer will be subject to the jurisdiction of the courts of Manresa – Barcelona – Spain. *En caso de litigio, el cliente estará sujeto a la jurisdicción de los tribunales de Manresa – Barcelona – España.*



Helion
**WORKING
FOR YOUR
SUCCESS**



Web: E-shop

HELION TOOLS S.L.
Calle Miquel Servet 37 Nave 13
Polígono Industrial Bufalvent
08243 Manresa · Barcelona · España
+34 938 770 869 · info@helion-tools.com
www.helion.tools